

8

7

6

5

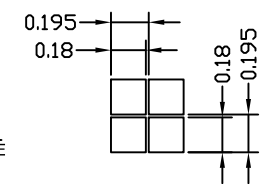
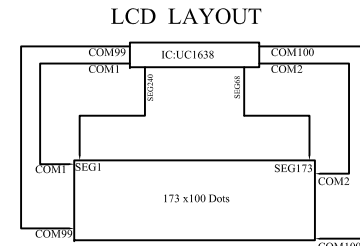
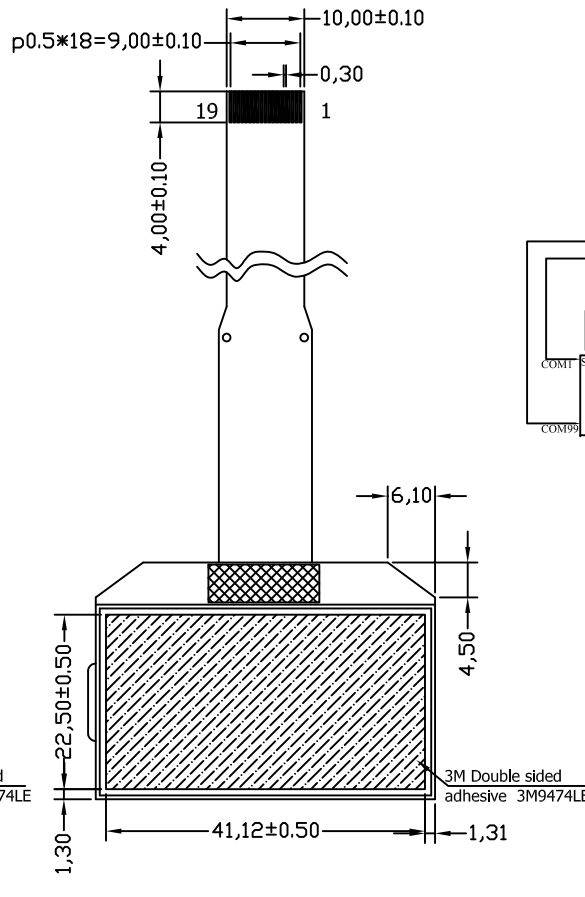
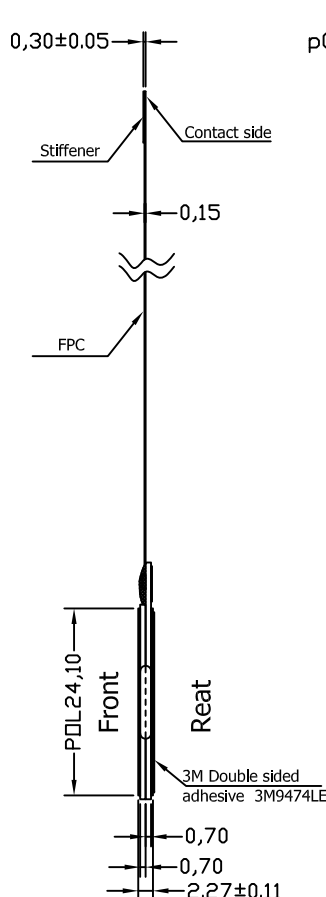
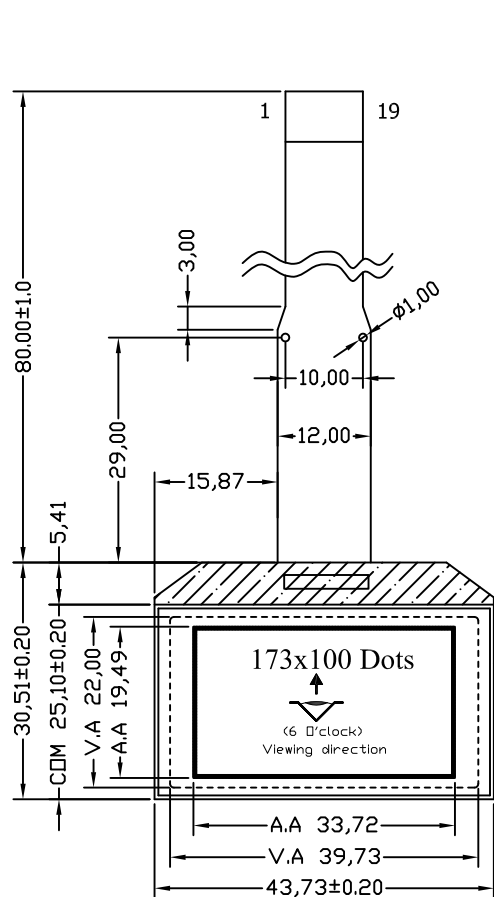
4

3

2

1

REV:	DESCRIPTION	BY	DATE
V1.0	New issue	SD-06	2020-12-09
V2.0	Add 3M Double sided adhesive	SD-06	2021-12-29

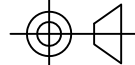


NO	Symbol
1	ACK
2	SDAO
3	SDAI
4	SCK
5	RST
6	CS1
7	CD
8	VSS
9	VDD
10	TST4
11	VLCD
12	VA0-
13	VA1-
14	VA1+
15	VA0+
16	VB0-
17	VB1-
18	VB1+
19	VB0+

NOTES :

- LCD TYPE: FSTN, Positive Transflective
- OPERATING VOLTAGE: VDD=3.3V, Vop=13.0V
- VIEWING DIRECTION: 6 O'CLOCK
- DRIVE METHOD: 1/100 Duty, 1/10 Bias
- OPERATING TEMP: -20°C TO +70°C
- STORAGE TEMP: -30°C TO +80°C
- CONNECTOR TAPE: COG
- DRIVER IC: UC1638C
- BACKLIGHT: --

10. ALL sub-parts and materials of the parts, must comply with the RoHS instructions of EU.



SINDA DISPLAY TECHNOLOGY CO., LTD.

VERSION: 2.0 UNITS: MM

GENERAL TOL: ± 0.2

DO NOT SCALE THIS DRAWING.

SHEET: 1 of 1		MODEL NUMBER : SDGG173100FS-01	SCALE: 1:1
APPROVALS	DATE		
DWN	SD-06	2021-12-29	
CHK			
APP	SD-11	2021-12-29	

www.sindadisplay.com

8

7

6

5

4

3

2

1