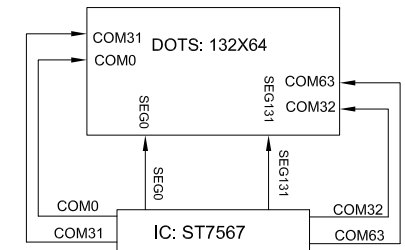
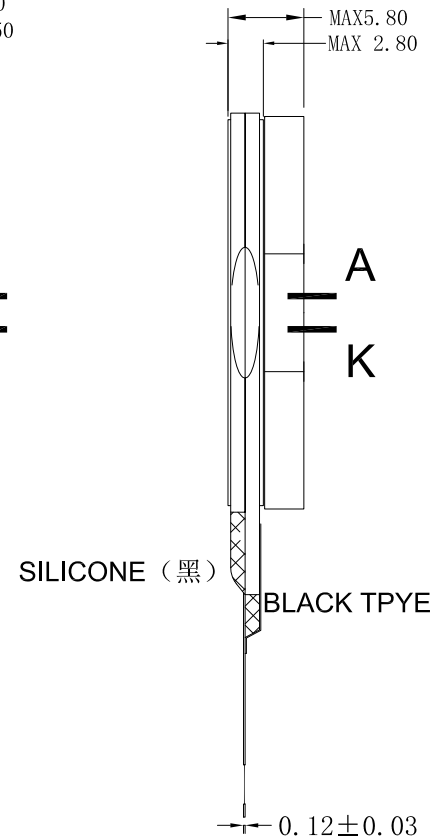
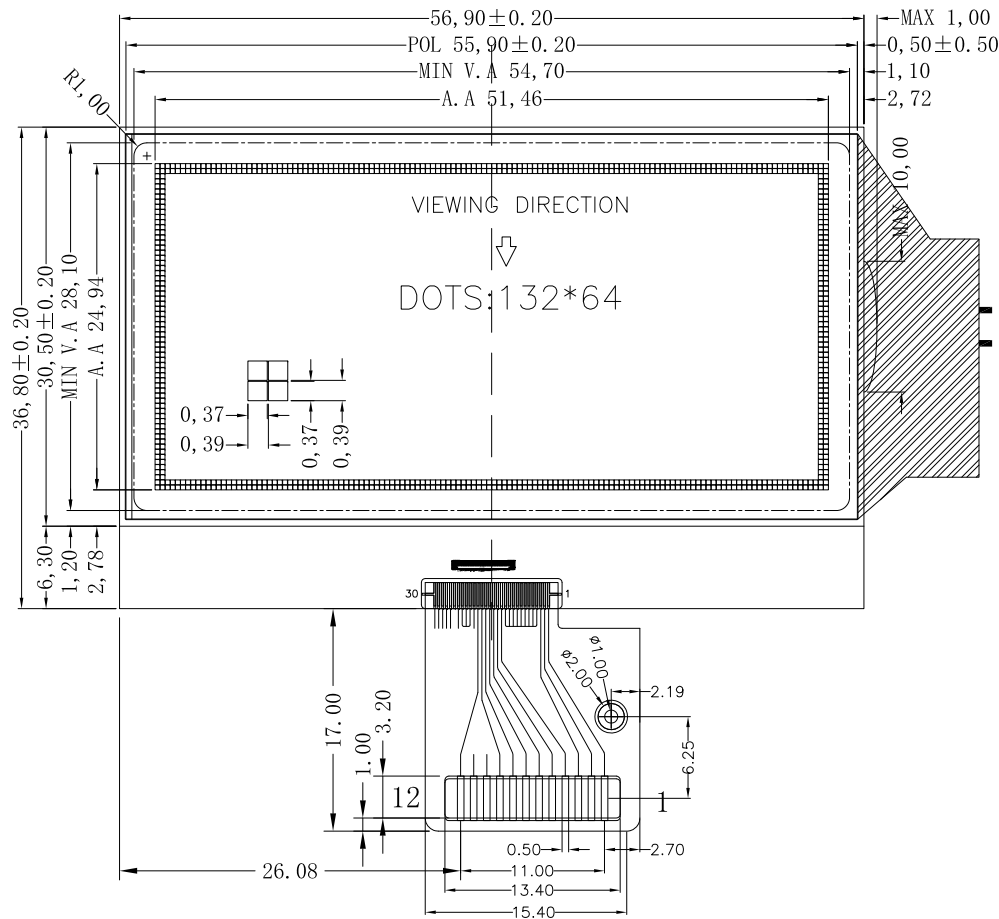


REV:	DESCRIPTION	BY	DATE
V1.0	New issue	SD-04	2017-08-31



COM & SEG LAYOUT

NO.	SYMBOL
1	/CS
2	/RST
3	A0
4	SCK
5	SDA
6	VDD
7	VSS
8	V0
9	XV0
10	NC
11	NC
12	VG

NOTES :

- | | |
|---|---|
| 1. LCD TYPE: | STN Y-G, Positive Transflective |
| 2. OPERATING VOLTAGE: | VDD=3.3V, Vop=10.0V |
| 3. VIEWING DIRECTION: | 6 O'CLOCK |
| 4. DRIVE METHOD: | 1/64 Duty, 1/9 Bias |
| 5. OPERATING TEMP: | -20°C TO +70°C |
| 6. STORAGE TEMP: | -30°C TO +80°C |
| 7. CONNECTOR TAPE: | COG+FPC |
| 8. DRIVER IC: | ST7567 |
| 9. BACKLIGHT: | 1 pcs LED White, VF=3.1±0.2V, IF=15mA |
| 10. ALL sub-parts and materials of the parts, | must comply with the RoHS instructions of EU. |

SINDA DISPLAY TECHNOLOGY CO., LTD.	
SHEET: 1 of 1	
APPROVALS DATE	
DWN	SD-04 2017-08-31
CHK	
APP	SD-11 2017-08-31
SDGG13264-01	
www.sindadisplay.com	
MODEL NUMBER :	VERSION: 1.0
GENERAL TOL: ± 0.2 UNITS: MM	
DO NOT SCALE THIS DRAWING.	
SCALE: 1:1	