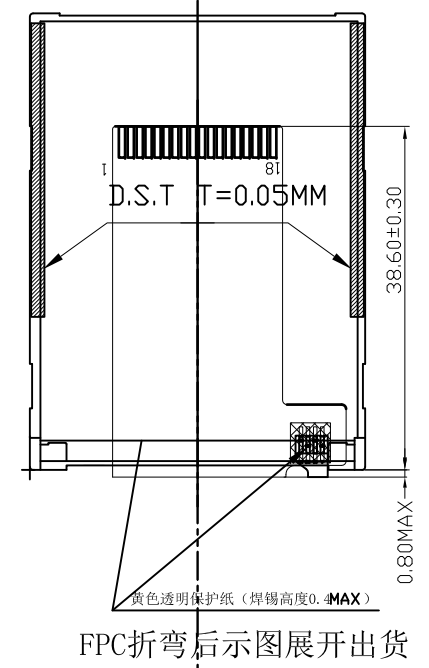
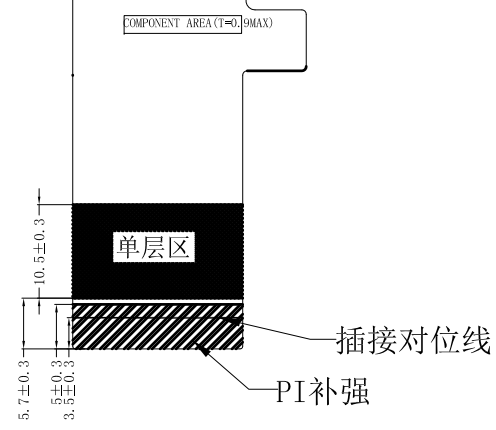
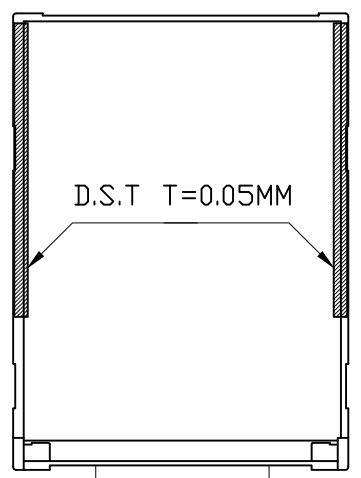
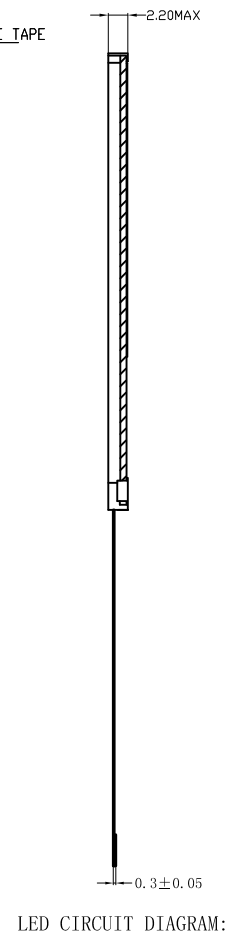
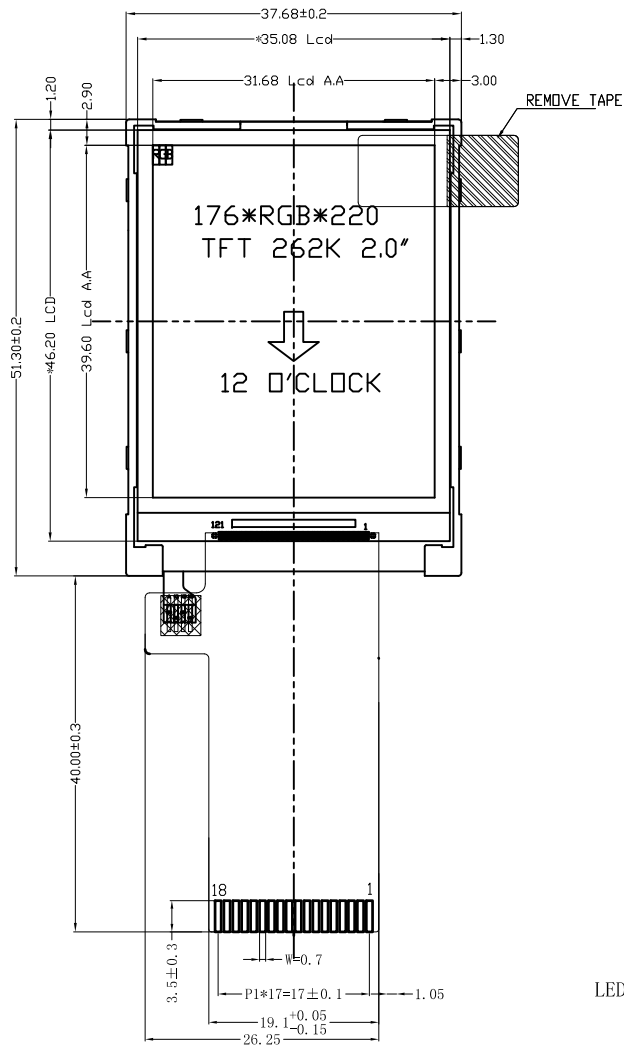


REV:	DESCRIPTION	BY	DATE
V1.0	NEW	SD-02	



**Notes:**

RoHS COMPLIANT	
ITEM	ELECTRICAL & PHYSICAL DATA
LCD Type	2.0" QCIF TFT
Viewing Direction	12 O'CLOCK
Drive Method	DUTY
VDD	2.8 V
Display Mode	Transmissive
Operating Temp.	-20°C ~ 70°C
Storage Temp.	-30°C ~ 80°C
Drive IC	9225G

PIN SYMBOL	
1	DB15
2	DB14
3	DB13
4	DB12
5	DB11
6	DB10
7	DB9
8	DB8
9	GND
10	VCC
11	/WR
12	RS
13	/CS
14	/RESET
15	A
16	K1
17	K2
18	K3

		<b>SINDA DISPLAY TECHNOLOGY CO., LTD.</b>	
SHEET: 1 of 1		MODEL NUMBER : <b>SDT02001-A18</b>	VERSION: 1.0
APPROVALS	DATE	GENERAL TOL: ± 0.2	
DWN	SD-02	UNITS: MM	
CHK		DO NOT SCALE THIS DRAWING.	
APP	SD-11	SCALE: 1:1	
		<a href="http://www.sindadisplay.com">www.sindadisplay.com</a>	