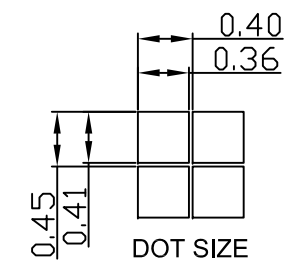
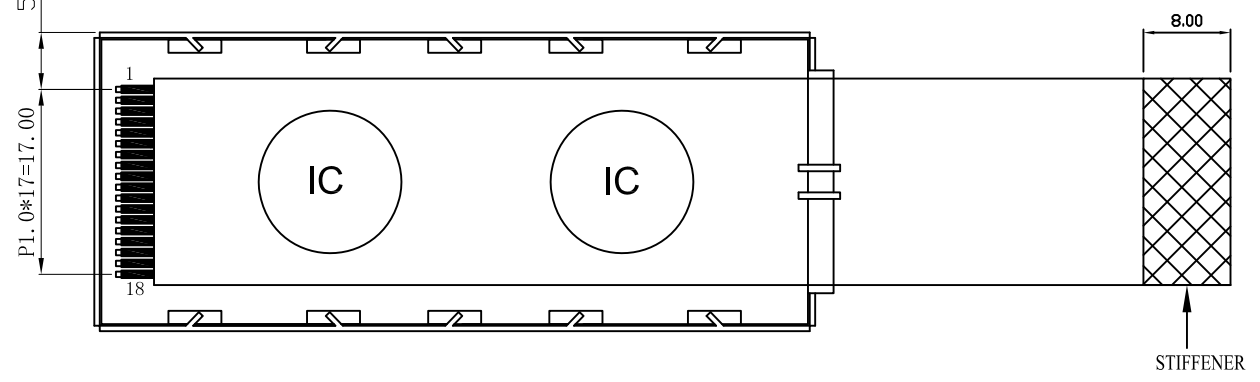
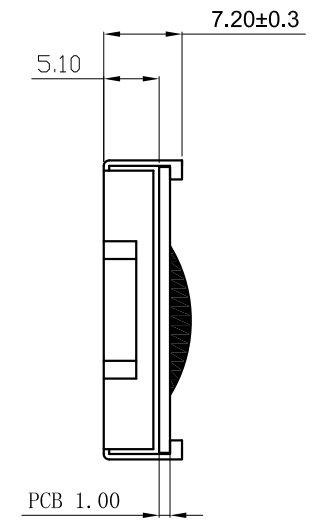
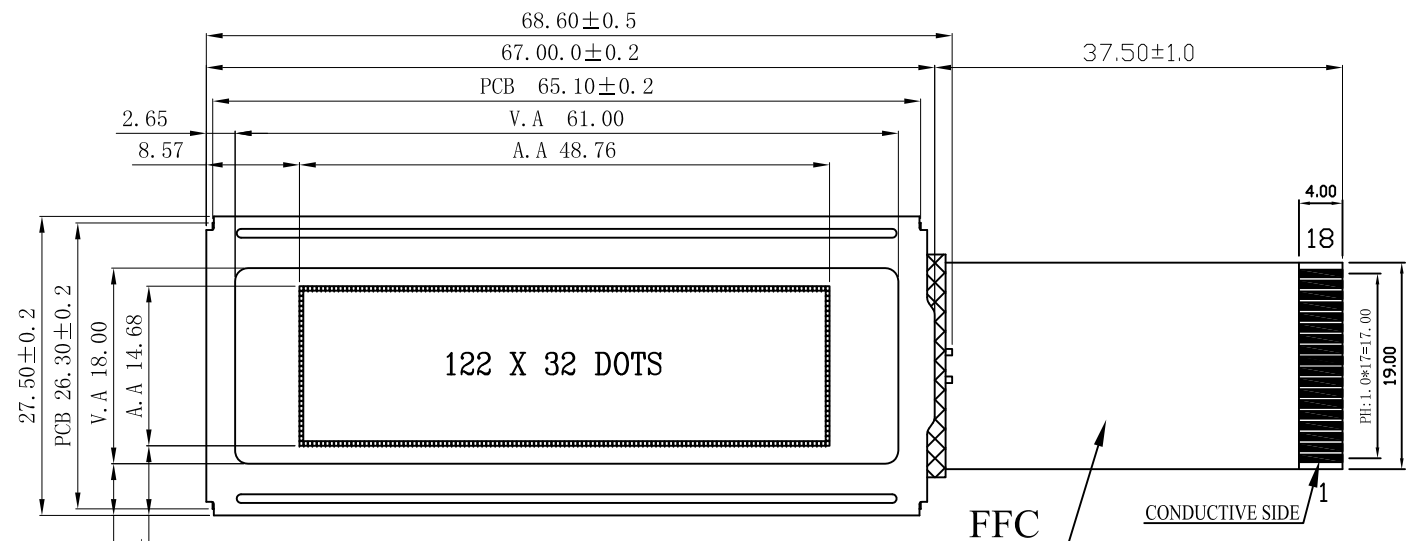


REV:	DESCRIPTION	BY	DATE
V1.0	New issue	Mike	2013-04-16



NO	Symbol
1	VDD
2	VSS
3	V0
4	RST
5	E1
6	E2
7	R/W
8	RS
9	DB0
10	DB1
11	DB2
12	DB3
13	DB4
14	DB5
15	DB6
16	DB7
17	LEDK
18	LEDA

NOTES :

1. LCD TYPE:	STN-Blue, Negative Transmissive
2. OPERATING VOLTAGE:	VDD=5.0V, Vop=5.0V
3. VIEWING DIRECTION:	6 O'CLOCK
4. DRIVE METHOD:	1/32 Duty, 1/5 Bias
5. OPERATING TEMP:	-20°C TO +70°C
6. STORAGE TEMP:	-30°C TO +80°C
7. CONNECTOR TAPE:	Zebra
8. DRIVER IC:	SBN1661 or Equivalent
9. BACKLIGHT:	White

10. ALL sub-parts and materials of the parts, must comply with the RoHS instructions of EU.

SINDA DISPLAY TECHNOLOGY CO., LTD.	
SHEET: 1 of 1	
APPROVALS DATE	
DWN Mike	2013-04-16
CHK	
APP CJ	2013-04-16
SDGB12232-02	
www.sindadisplay.com	
VERSION: 1.0 UNITS: MM	
GENERAL TOL: ± 0.2	
DO NOT SCALE THIS DRAWING.	
SCALE: 1:1	