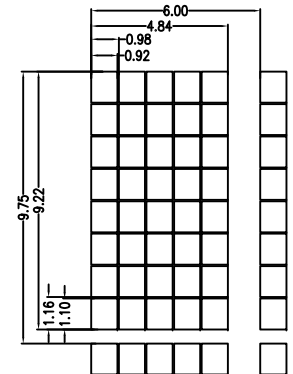
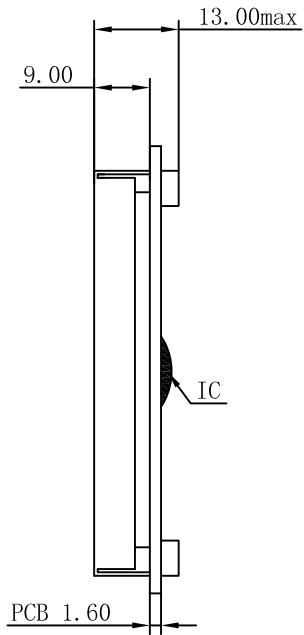
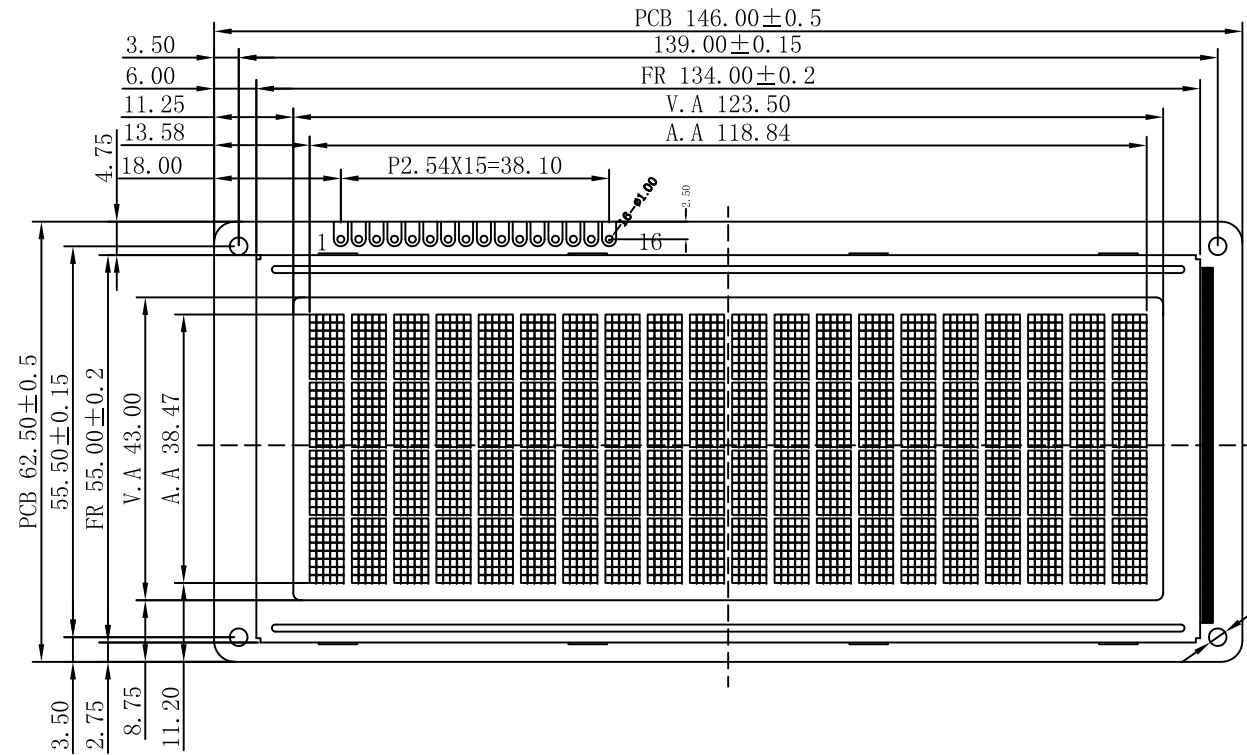


REV:	DESCRIPTION	BY	DATE
V1.0	New issue	Mike	2013-09-03



DOT SIZE:

NO	Symbol
1	VSS
2	VDD
3	V0
4	RS
5	RW
6	E
7	DB0
8	DB1
9	DB2
10	DB3
11	DB4
12	DB5
13	DB6
14	DB7
15	A
16	K

- NOTES :
- 1. LCD TYPE: STN-Blue, Negative Transmissive
  - 2. OPERATING VOLTAGE: VDD=5.0V, Vop=5.0V
  - 3. VIEWING DIRECTION: 6 O'CLOCK
  - 4. DRIVE METHOD: 1/16 Duty, 1/5 Bias
  - 5. OPERATING TEMP: -20°C TO +70°C
  - 6. STORAGE TEMP: -30°C TO +80°C
  - 7. CONNECTOR TAPE: Zebra
  - 8. DRIVER IC: AIP31066 or Equivalent
  - 9. BACKLIGHT: White
  - 10. ALL sub-parts and materials of the parts, must comply with the RoHS instructions of EU.

		<b>SINDA DISPLAY TECHNOLOGY CO., LTD.</b>	
SHEET: 1 of 1		MODEL NUMBER : SDCB2004-04A	VERSION: 1.0
APPROVALS	DATE	GENERAL TOL: ± 0.2	
DWN Mike	2013-09-03	UNITS: MM	
CHK		DO NOT SCALE THIS DRAWING.	
APP CJ	2013-09-03	SCALE: 1:1	
www.sindadisplay.com			