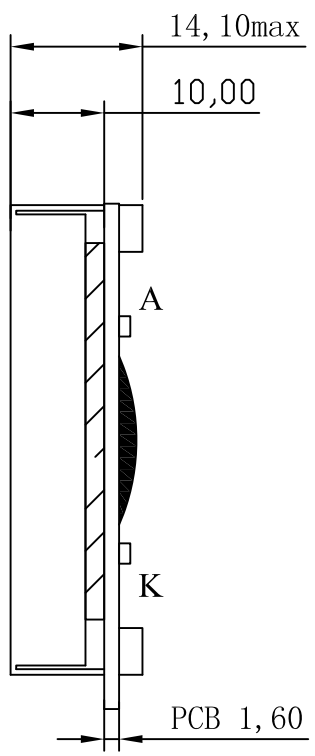
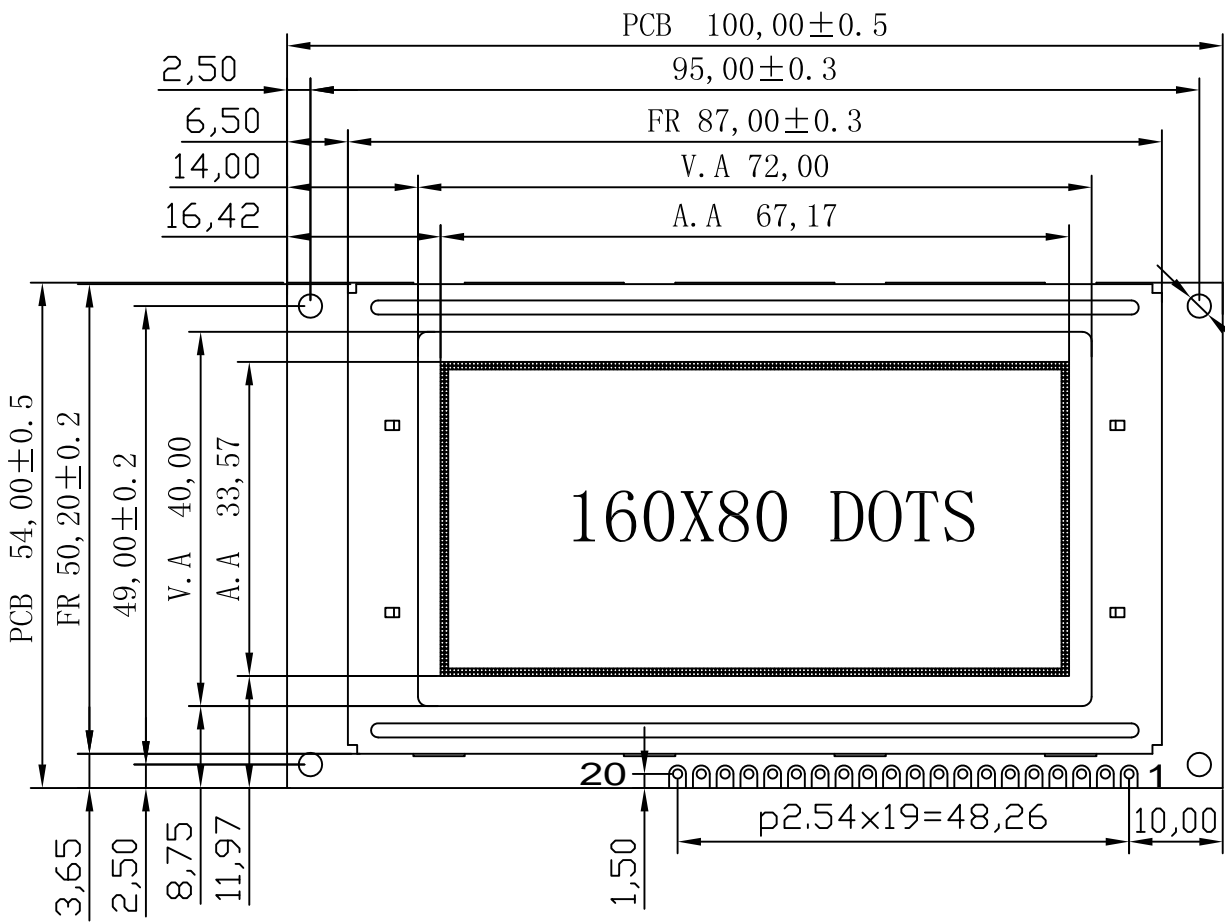
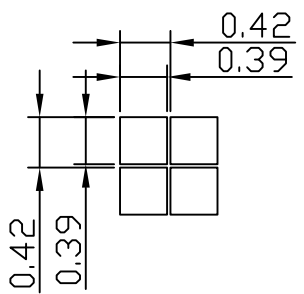


REV:	DESCRIPTION	BY	DATE
V1.0	New issue	Mike	2017-08-07



NO	Symbol
1	VEE
2	VSS
3	VDD(5.0V)
4	V0
5	/WR
6	/RD
7	/CE
8	C/D
9	/RST
10	DB0
11	DB1
12	DB2
13	DB3
14	DB4
15	DB5
16	DB6
17	DB7
18	FS
19	LEDA
20	LEDK



- NOTES :
- | | |
|---|---|
| 1. LCD TYPE: | STN-BLUE, Negative Transmissive |
| 2. OPERATING VOLTAGE: | VDD=5.0V, Vop=12.0V |
| 3. VIEWING DIRECTION: | 6 O'CLOCK |
| 4. DRIVE METHOD: | 1/80 Duty, 1/12 Bias |
| 5. OPERATING TEMP: | -20°C TO +70°C |
| 6. STORAGE TEMP: | -30°C TO +80°C |
| 7. CONNECTOR TAPE: | Zebra |
| 8. DRIVER IC: | RA6963 or Equivalent |
| 9. BACKLIGHT: | White 4 pcs LED Vf=3.1±0.20, If=15*4mA |
| 10. ALL sub-parts and materials of the parts, | must comply with the RoHS instructions of EU. |

SINDA DISPLAY TECHNOLOGY CO., LTD.				
SHEET: 1 of 1		MODEL NUMBER : SDGB16080-01	VERSION: 1.0	UNITS: MM
APPROVALS	DATE	GENERAL TOL: ± 0.2		
DWN Mike	2017-08-07	DO NOT SCALE THIS DRAWING.		
CHK		www.sindadisplay.com		
APP CJ	2017-08-07			