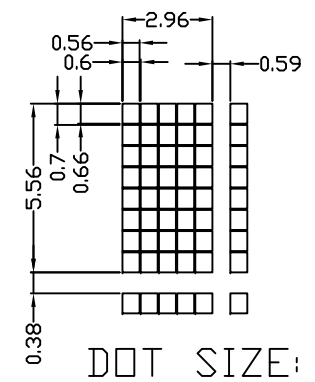
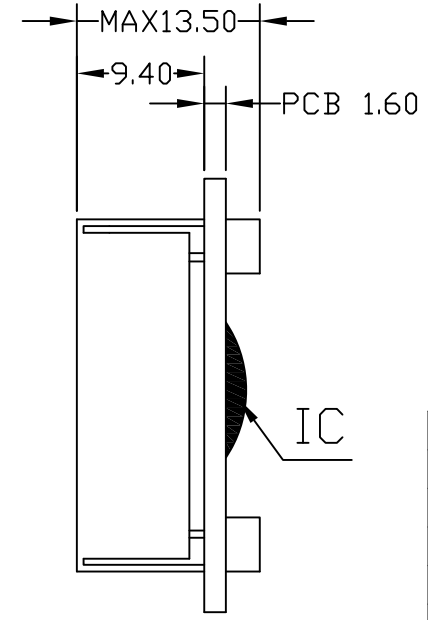
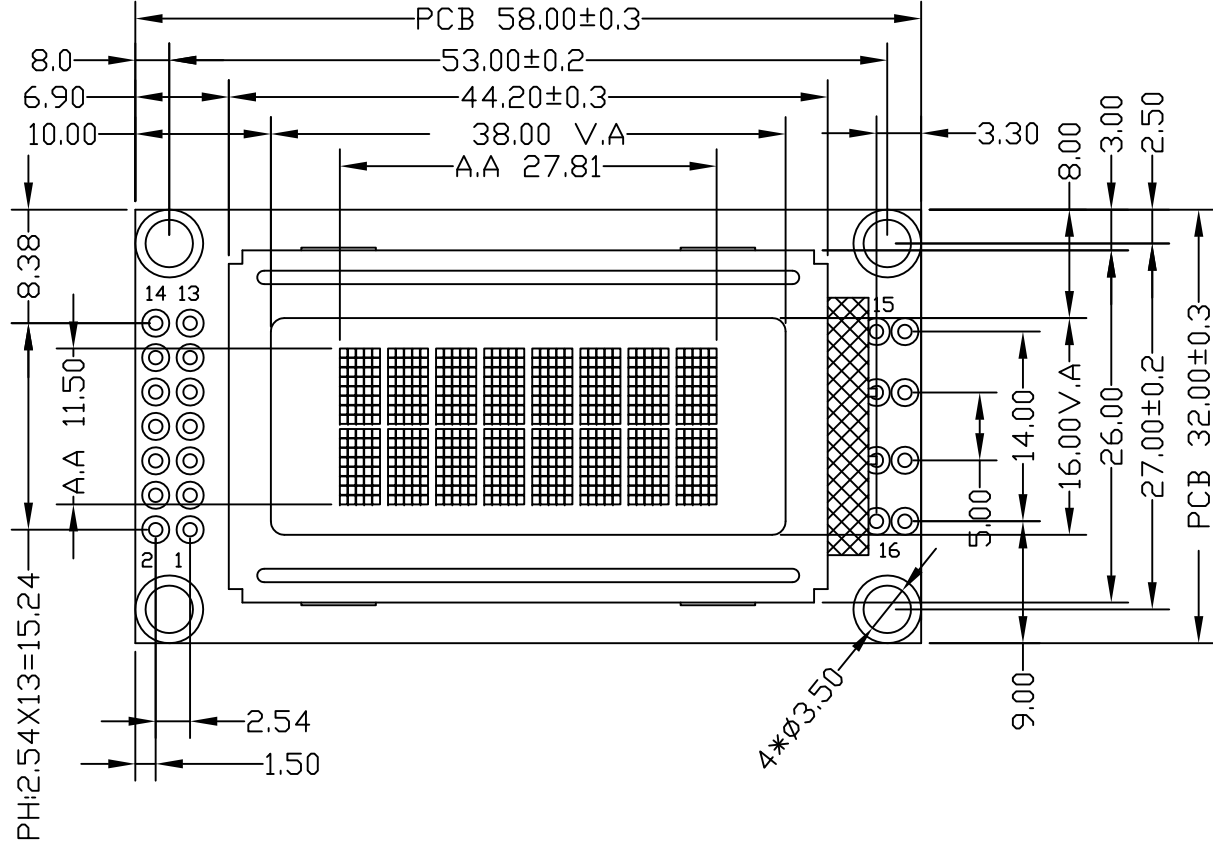



REV:	DESCRIPTION	BY	DATE
V1.0	New issue	Mike	2013-09-16



NO	Symbol
1	VSS
2	VDD
3	V0
4	RS
5	RW
6	E
7	DB0
8	DB1
9	DB2
10	DB3
11	DB4
12	DB5
13	DB6
14	DB7
15	A
16	K

NOTES :

1. LCD TYPE:	STN, Y-G Positive Transmissive
2. OPERATING VOLTAGE:	VDD=5.0V, Vop=4.70V
3. VIEWING DIRECTION:	6 O'CLOCK
4. DRIVE METHOD:	1/16 Duty, 1/4 Bias
5. OPERATING TEMP:	-20°C TO +70°C
6. STORAGE TEMP:	-30°C TO +80°C
7. CONNECTOR TAPE:	Zebra
8. DRIVER IC:	AIP31066 or Equivalent
9. BACKLIGHT:	Yellow-Green
10. ALL sub-parts and materials of the parts, must comply with the RoHS instructions of EU.	

 <b>SINDA DISPLAY TECHNOLOGY CO., LTD.</b>				
SHEET: 1 of 1		MODEL NUMBER : SDCB0802SYG-01	VERSION: 1.0	UNITS: MM
APPROVALS	DATE	GENERAL TOL: ± 0.2		
DWN Mike	2013-09-16	DO NOT SCALE THIS DRAWING.		
CHK		www.sindadisplay.com		
APP CJ	2013-09-16			