

8

7

6

5

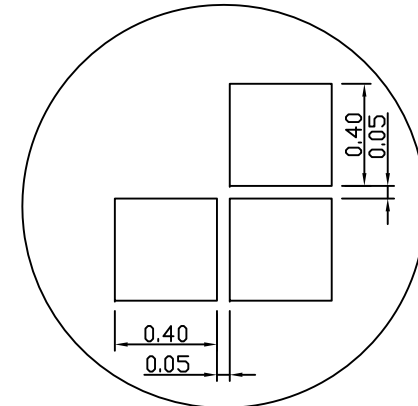
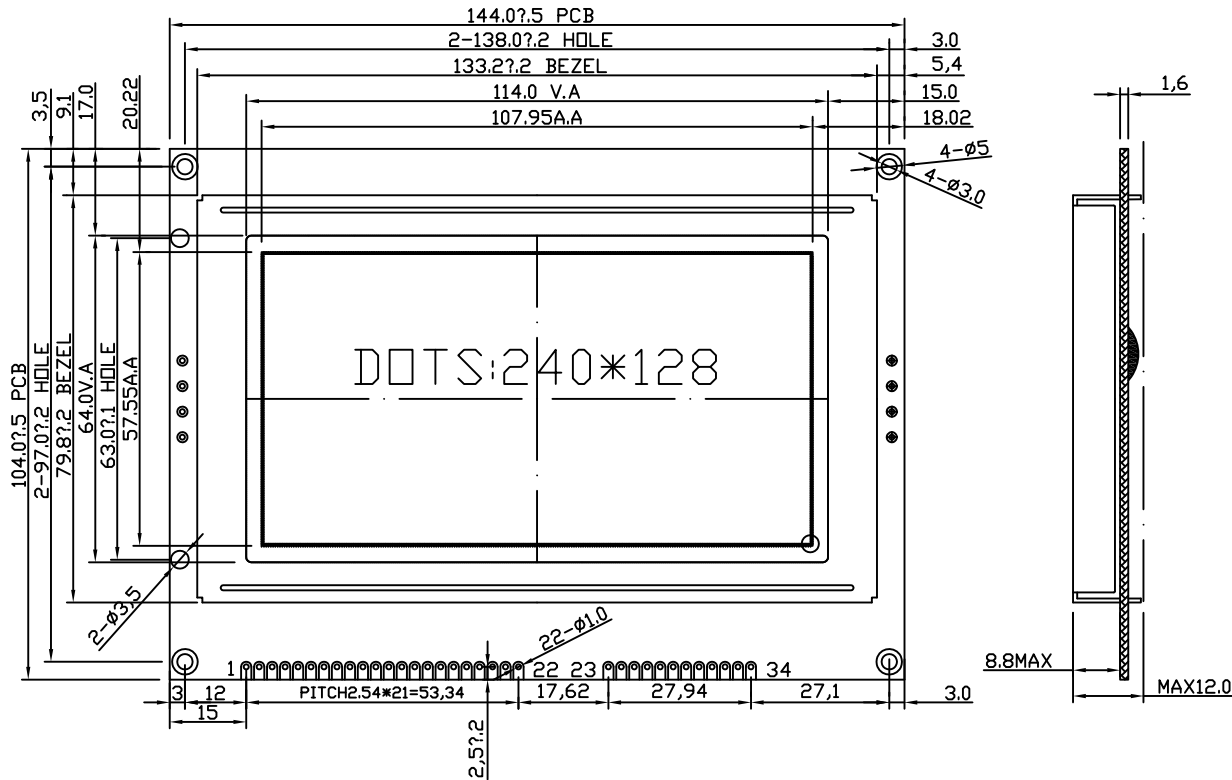
4

3

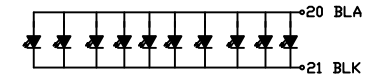
2

1

REV:	DESCRIPTION	BY	DATE
V1.0	New issue	Mike	2013-06-04



NO	Symbol
1	FG
2	VSS
3	VDD(5.0V)
4	V0
5	VEE
6	WR
7	RD
8	CE
9	C/D
10	DB0
11	DB1
12	DB2
13	DB3
14	DB4
15	DB5
16	DB6
17	DB7
18	FS
19	VOUT
20	LEDA
21	LEDK
22	N.C
23	ED
24	CDATA
25	FR
26	LP
27	HSCP
28	N.C
29	VDD(5.0V)
30	VSS
31	V0
32	VOUT
33	LEDA
34	LEDK



VAK=5.0V IAK=150-200mA  
BackLight Circuit Details

NOTES :

- 1. LCD TYPE: STN-Blue, Negative Transmissive
- 2. OPERATING VOLTAGE: VDD=5.0V, Vop=19.8V
- 3. VIEWING DIRECTION: 6 O'CLOCK
- 4. DRIVE METHOD: 1/128 Duty, 1/12 Bias
- 5. OPERATING TEMP: -20°C TO +70°C
- 6. STORAGE TEMP: -30°C TO +80°C
- 7. CONNECTOR TAPE: Zebra
- 8. DRIVER IC: RA6963 or Equivalent
- 9. BACKLIGHT: White, VF=5.0V, IF=150mA
- 10. ALL sub-parts and materials of the parts, must comply with the RoHS instructions of EU.

		<b>SINDA DISPLAY TECHNOLOGY CO., LTD.</b>	
SHEET: 1 of 1		MODEL NUMBER : SDGB240128-01A	VERSION: 1.0
APPROVALS	DATE	UNITS: MM	
DWN Mike	2013-06-04	GENERAL TOL: ± 0.2	
CHK		DO NOT SCALE THIS DRAWING.	
APP CJ	2013-06-04	SCALE: 1:1	
		www.sindadisplay.com	

8

7

6

5

4

3

2

1