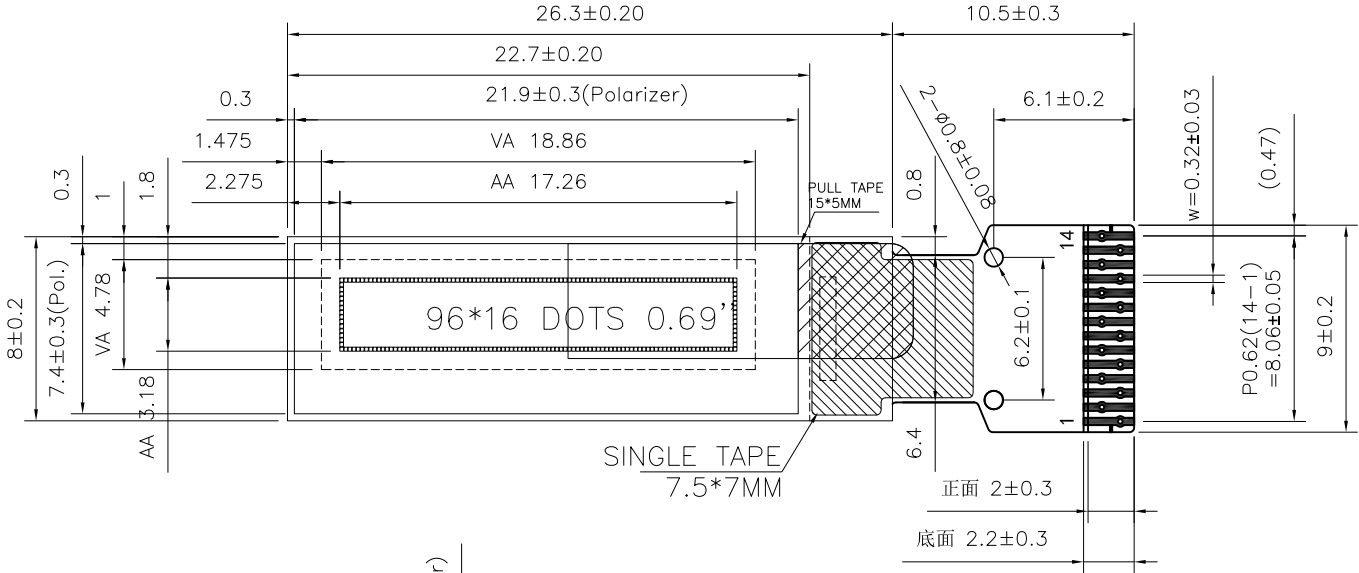


REV:	DESCRIPTION	BY	DATE
V1.0	New issue	SD-04	2018-03-05



PIN	SYMBOL
1	C2P
2	C2N
3	C1P
4	C1N
5	VDDDB
6	NC
7	VSS
8	VDD
9	RES#
10	SCL
11	SDA
12	IREF
13	VCOMH
14	VCC

Specifications:

1. Display : OLED(White).
2. Dot Matrix: 96*16
3. Dot Size: 0.16*0.18mm
4. Dot Pitch: 0.18*0.20mm
5. Aperture Rate: 80%
6. Active Area : 17.26*3.18mm
7. Drive IC: SSD1306BZ
8. FPC P/N: FPC-HP9616-01-A0

	SHEET: 1 of 1		SINDA DISPLAY TECHNOLOGY CO., LTD.			
	APPROVALS				DATE	
	DWN	SD-04	2018-03-05	SDO9616-01 MODEL NUMBER :	VERSION: 1.0	UNITS: MM
	CHK				GENERAL TOL:± 0.2	
	APP	SD-11	2018-03-05		DO NOT SCALE THIS DRAWING.	
www.sindadisplay.com			SCALE: 1:1			