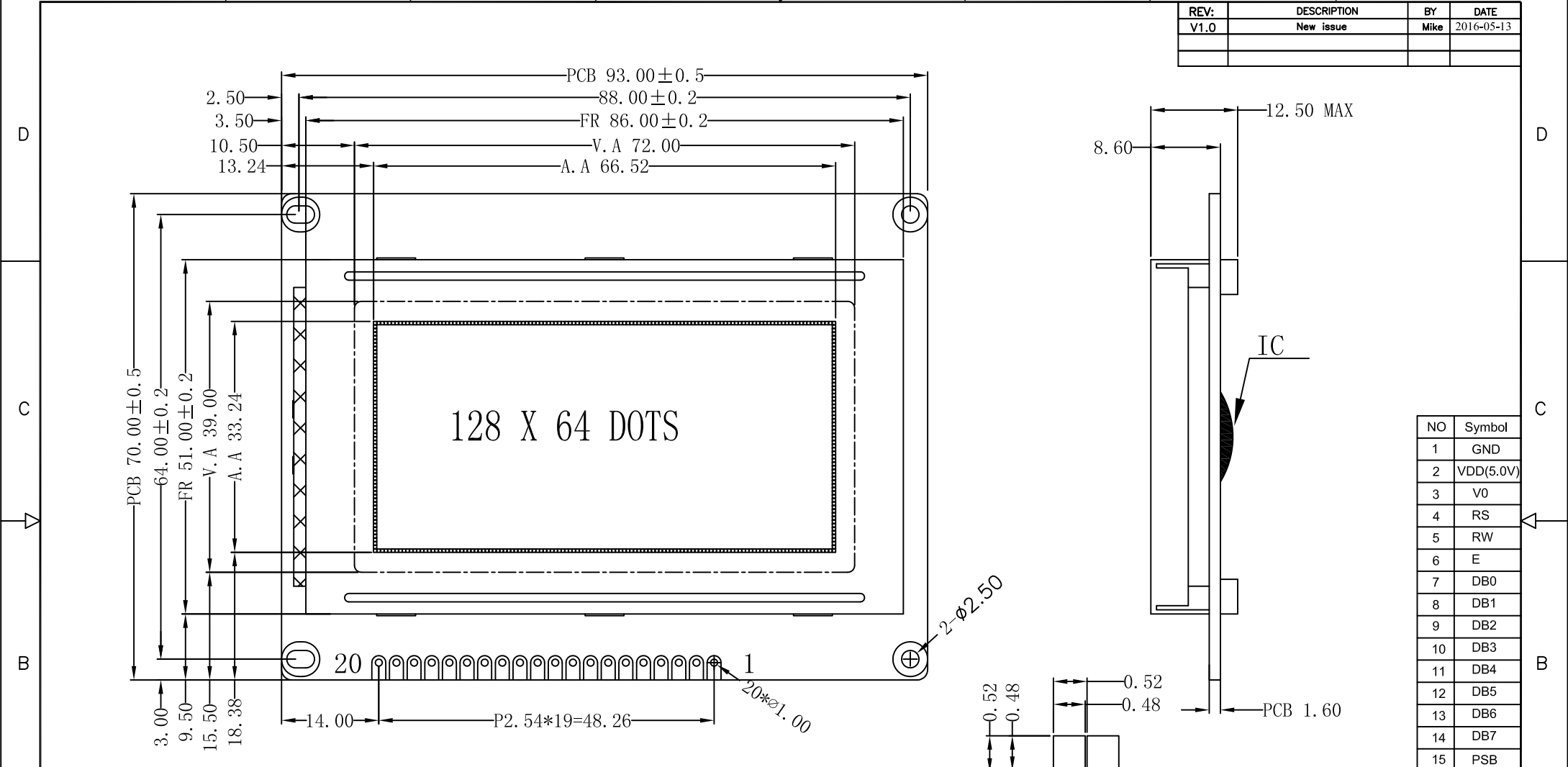



REV:	DESCRIPTION	BY	DATE
V1.0	New issue	Mike	2016-05-13



NO	Symbol
1	GND
2	VDD(5.0V)
3	V0
4	RS
5	RW
6	E
7	DB0
8	DB1
9	DB2
10	DB3
11	DB4
12	DB5
13	DB6
14	DB7
15	PSB
16	N.C
17	RST
18	VOUT
19	LEDA(5.0V)
20	LEDK

- NOTES :
- | | |
|---|-----------------------------|
| 1. LCD TYPE: | STN, Positive Transflective |
| 2. OPERATING VOLTAGE: | VDD=5.0V, Vop=5.0V |
| 3. VIEWING DIRECTION: | 6 O'CLOCK |
| 4. DRIVE METHOD: | 1/32 Duty, 1/6 Bias |
| 5. OPERATING TEMP: | -20°C TO +70°C |
| 6. STORAGE TEMP: | -30°C TO +80°C |
| 7. CONNECTOR TAPE: | Zebra |
| 8. DRIVER IC: | AIP31020 or Equivalent |
| 9. BACKLIGHT: | White |
| 10. ALL sub-parts and materials of the parts, must comply with the RoHS instructions of EU. | |

 SINDA DISPLAY TECHNOLOGY CO., LTD.				
SHEET: 1 of 1		MODEL NUMBER : SDGB12864-04	VERSION: 1.0	UNITS: MM
APPROVALS	DATE	GENERAL TOL: ± 0.2		
DWN	SD-03	DO NOT SCALE THIS DRAWING.		
CHK				
APP	SD-11			
		www.sindadisplay.com		SCALE: 1:1