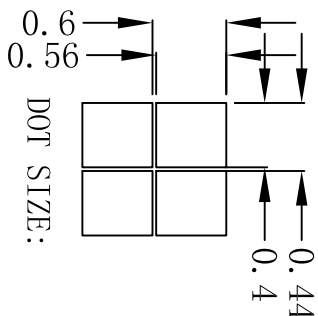
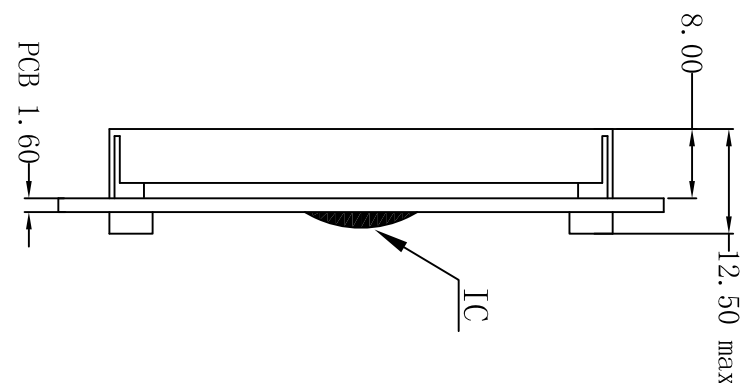
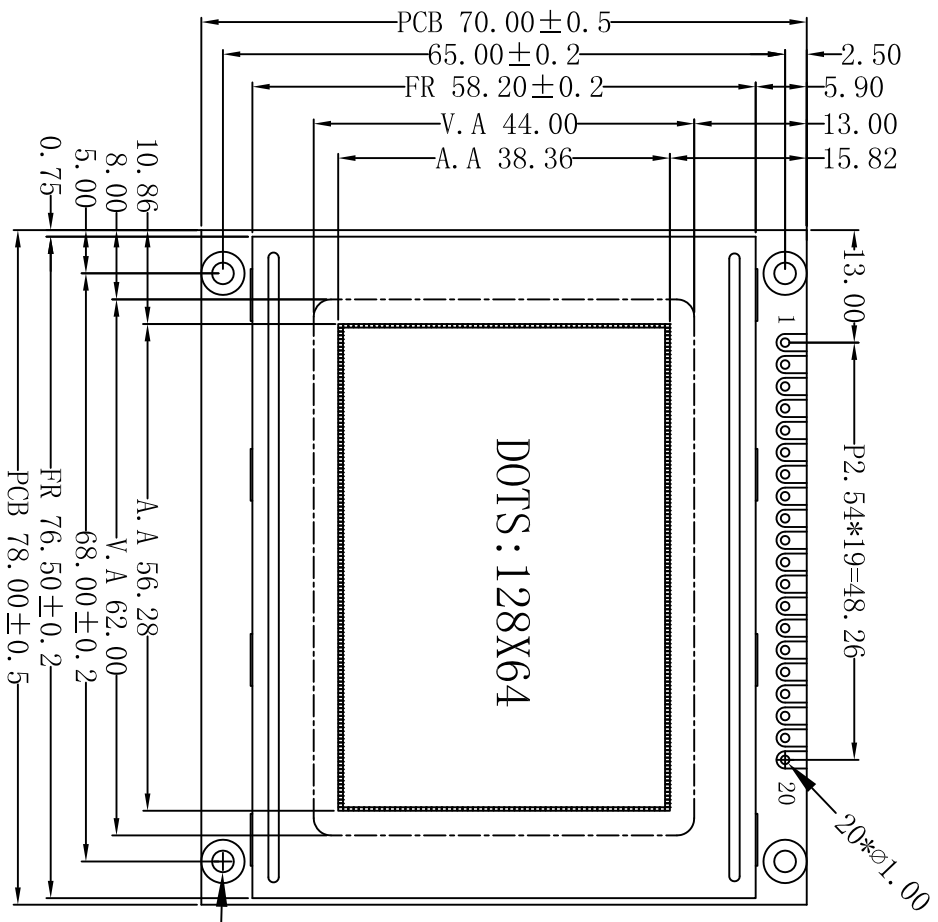


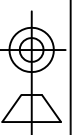
| REV: | DESCRIPTION | BY   | DATE       |
|------|-------------|------|------------|
| V1.0 | New Issue   | Mike | 2013-09-20 |



| NO | Symbol      |
|----|-------------|
| 1  | FG          |
| 2  | VSS         |
| 3  | VDD(5.0V)   |
| 4  | V0          |
| 5  | /WR         |
| 6  | /RD         |
| 7  | /CE         |
| 8  | C/D         |
| 9  | RST         |
| 10 | DB0         |
| 11 | DB1         |
| 12 | DB2         |
| 13 | DB3         |
| 14 | DB4         |
| 15 | DB5         |
| 16 | DB6         |
| 17 | DB7         |
| 18 | FS          |
| 19 | LED-(A(5V)) |
| 20 | LED-K       |

NOTES :

- LCD TYPE: STN-Blue, Negative Transmissive
- OPERATING VOLTAGE: VDD=5.0V, Vop=9.0V
- VIEWING DIRECTION: 6 O'CLOCK
- DRIVE METHOD: 1/64 Duty, 1/9 Bias
- OPERATING TEMP: -20°C TO +70°C
- STORAGE TEMP: -30°C TO +80°C
- CONNECTOR TAPE: Zebra
- DRIVER IC: RA6963 or Equivalent
- BACKLIGHT: White
- ALL sub-parts and materials of the parts, must comply with the RoHS instructions of EU.



**SINDA DISPLAY TECHNOLOGY CO., LTD.**

|               |            |                      |                    |                            |
|---------------|------------|----------------------|--------------------|----------------------------|
| SHEET: 1 of 1 | DATE       | MODEL NUMBER :       | VERSION: 1.0       | UNITS: MM                  |
| APPROVALS     | 2013-09-20 | SDGB12864-03         | GENERAL TOL: ± 0.2 | DO NOT SCALE THIS DRAWING. |
| DWN           | Mike       | www.sindadisplay.com | SCALE: 1:1         |                            |
| CHK           |            |                      |                    |                            |
| APP           | CJ         |                      |                    |                            |