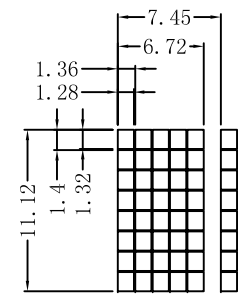
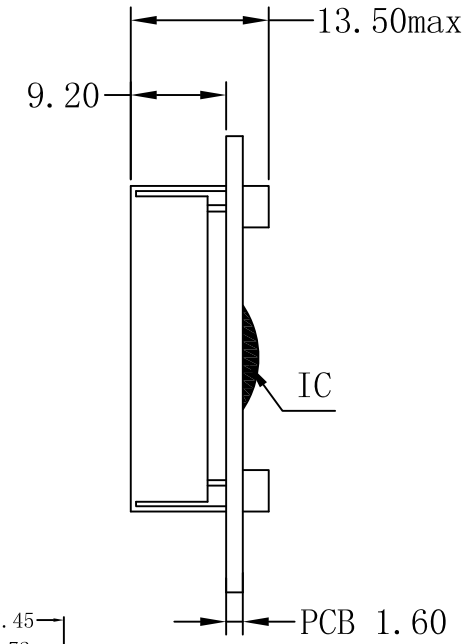
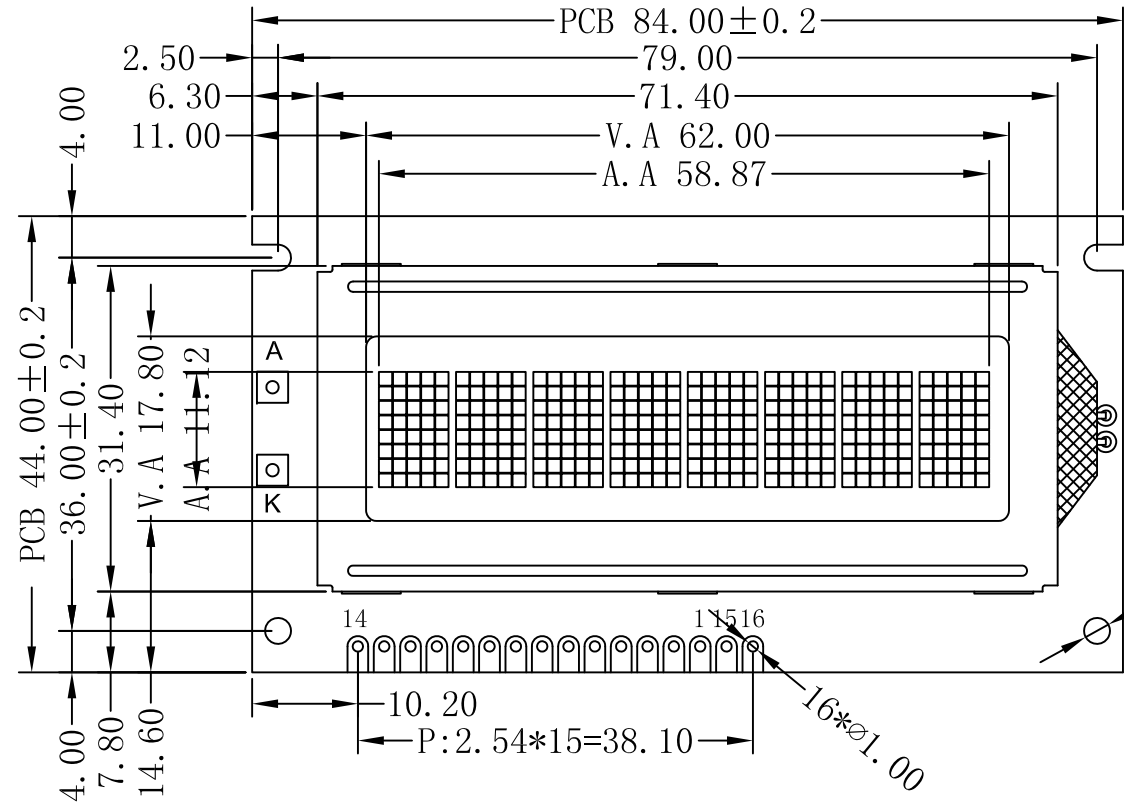


REV:	DESCRIPTION	BY	DATE
V1.0	New issue	XP	2013-08-16



DOT SIZE:

NO	Symbol
1	VSS
2	VDD
3	V0
4	RS
5	RW
6	E
7	DB0
8	DB1
9	DB2
10	DB3
11	DB4
12	DB5
13	DB6
14	DB7
15	A
16	K

- NOTES :
- | | |
|-----------------------|---------------------------------|
| 1. LCD TYPE: | STN-Blue, Negative Transmissive |
| 2. OPERATING VOLTAGE: | VDD=5.0V, Vop=4.70V |
| 3. VIEWING DIRECTION: | 6 O'CLOCK |
| 4. DRIVE METHOD: | 1/8 Duty, 1/4 Bias |
| 5. OPERATING TEMP: | -20°C TO +70°C |
| 6. STORAGE TEMP: | -30°C TO +80°C |
| 7. CONNECTOR TAPE: | Zebra |
| 8. DRIVER IC: | AIP31066 or Equivalent |
| 9. BACKLIGHT: | White |
10. ALL sub-parts and materials of the parts, must comply with the RoHS instructions of EU.

		SINDA DISPLAY TECHNOLOGY CO., LTD.	
SHEET: 1 of 1		MODEL NUMBER : SDCB0801-01	VERSION: 1.0
APPROVALS	DATE	UNITS: MM	
DWN XP	2013-08-16	GENERAL TOL: ± 0.2	
CHK		DO NOT SCALE THIS DRAWING.	
APP CJ	2013-08-16	SCALE: 1:1	
www.sindadisplay.com			