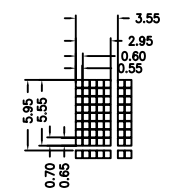
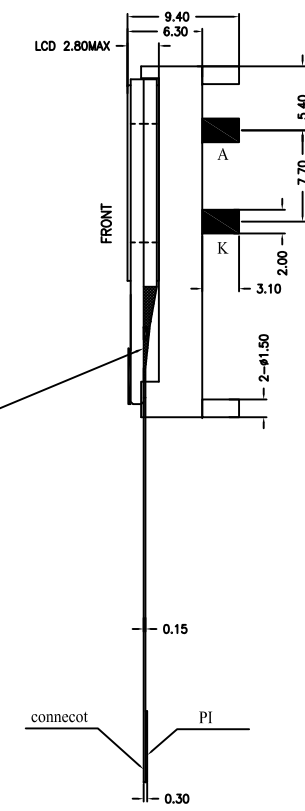
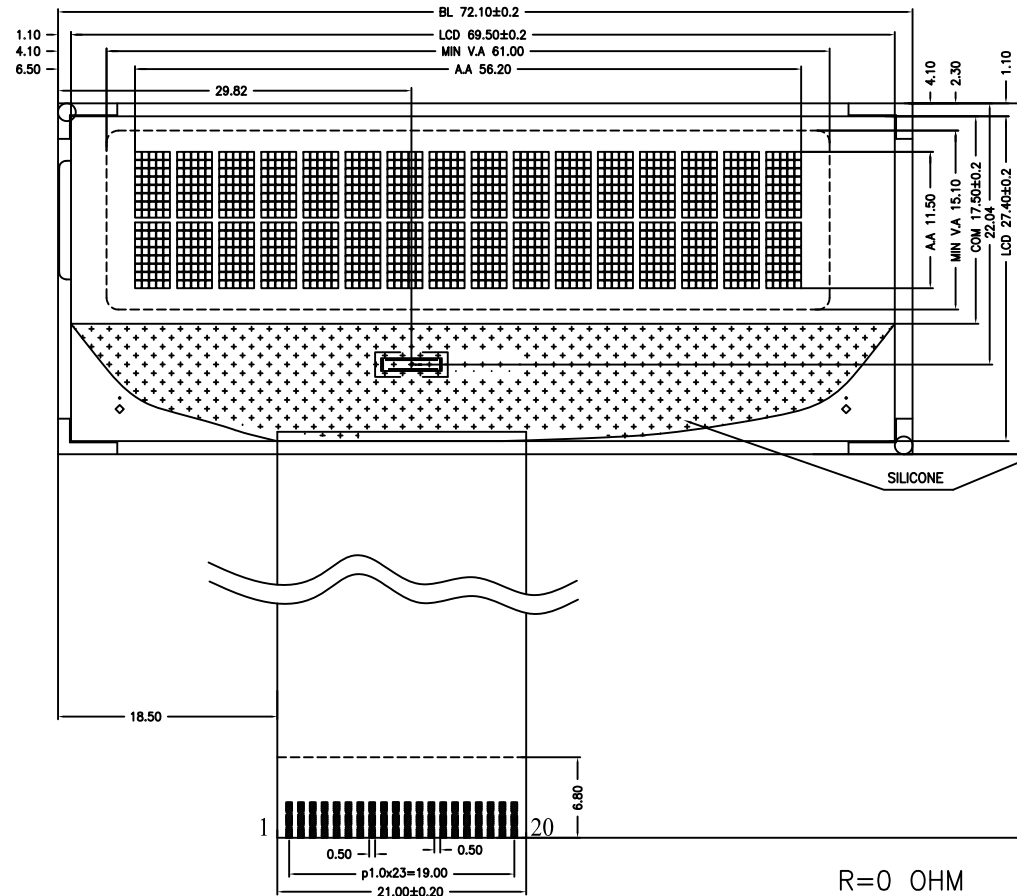
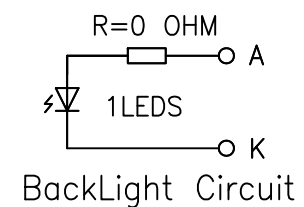


REV:	DESCRIPTION	BY	DATE
V1.0	New issue	Mike	2018-08-02
V2.0	Update Backlight Voltage	SD-04	2019-04-29



NO	Symbol
1	RS
2	E
3	RW
4	DB0
5	DB1
6	DB2
7	DB3
8	DB4
9	DB5
10	DB6
11	DB7
12	VSS
13	VDD
14	VOUT
15	PSB
16	PSI2B
17	CAP1P
18	CAP1N
19	VOUT
20	V0



- NOTES :
- | | |
|-----------------------------------------------|-----------------------------------------------|
| 1. LCD TYPE: | FSTN Positive Tranflective |
| 2. OPERATING VOLTAGE: | VDD=3.3V, Vop=4.5V |
| 3. VIEWING DIRECTION: | 6 O'CLOCK |
| 4. DRIVE METHOD: | 1/16 Duty, 1/5 Bias |
| 5. OPERATING TEMP: | -20°C TO +70°C |
| 6. STORAGE TEMP: | -30°C TO +80°C |
| 7. CONNECTOR TAPE: | COG+FPC |
| 8. DRIVER IC: | ST7032i or Equivalent |
| 9. BACKLIGHT: | White LED Backlight, VF=3.5V, IF=15mA |
| 10. ALL sub-parts and materials of the parts, | must comply with the RoHS instructions of EU. |

SINDA DISPLAY TECHNOLOGY CO., LTD.				
SHEET: 1 of 1		MODEL NUMBER : SDCG1602-2	VERSION: 2.0	UNITS: MM
APPROVALS	DATE	GENERAL TOL: ± 0.2		
DWN	SD-04	DO NOT SCALE THIS DRAWING.		
CHK				
APP	SD-11	www.sindadisplay.com		SCALE: 1:1