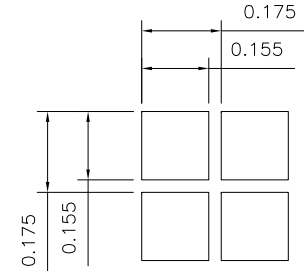
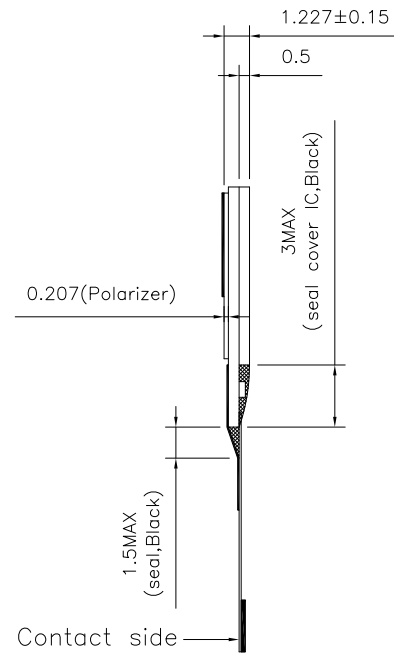
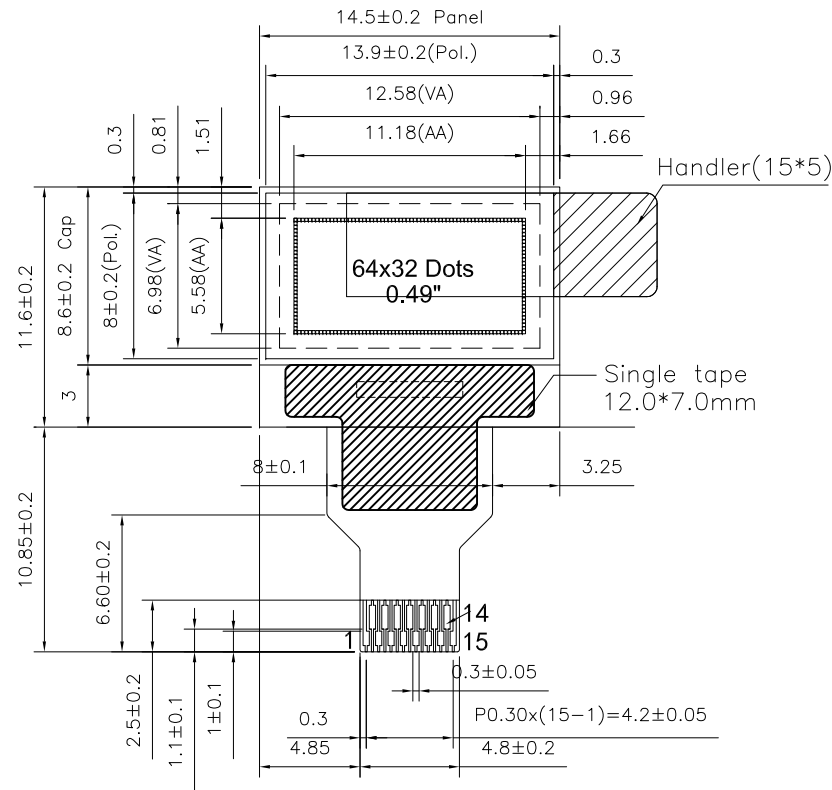
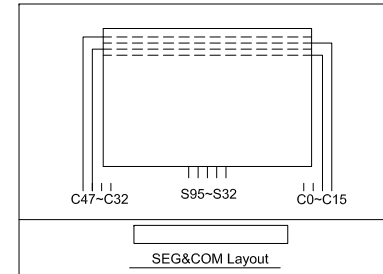


REV:	DESCRIPTION	BY	DATE
V1.0	New issue	SD-04	2018-06-05



PIN	SYMBOL
1	C2P
2	C2N
3	C1P
4	C1N
5	VSS
6	VBAT
7	VBREF(NC)
8	VSS
9	VDD
10	RES#
11	SCL
12	SDA
13	IREF
14	VCOMH
15	VCC



Specifications:

1. Display : OLED(White).
2. Dot Matrix: 64*32
3. Dot Size: 0.155*0.155mm
4. Dot Pitch: 0.175*0.175mm
5. Aperture Rate: 78%
6. Active Area : 11.18*5.58mm
7. Drive IC: SSD1306BZ
8. FPC P/N: FPC-HP6432-00-A0.

		SINDA DISPLAY TECHNOLOGY CO., LTD.	
SHEET: 1 of 1		MODEL NUMBER : SDO6432-01	VERSION: 1.0
APPROVALS	DATE	UNITS: MM	
DWN	SD-04	GENERAL TOL: ± 0.2	
CHK	SD-11	DO NOT SCALE THIS DRAWING.	
APP	SD-11	SCALE: 1:1	
		www.sindadisplay.com	