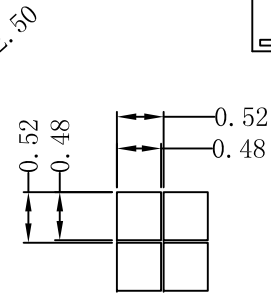
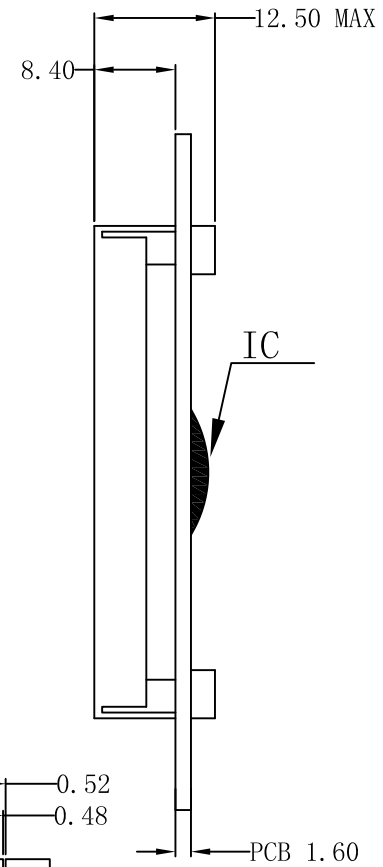
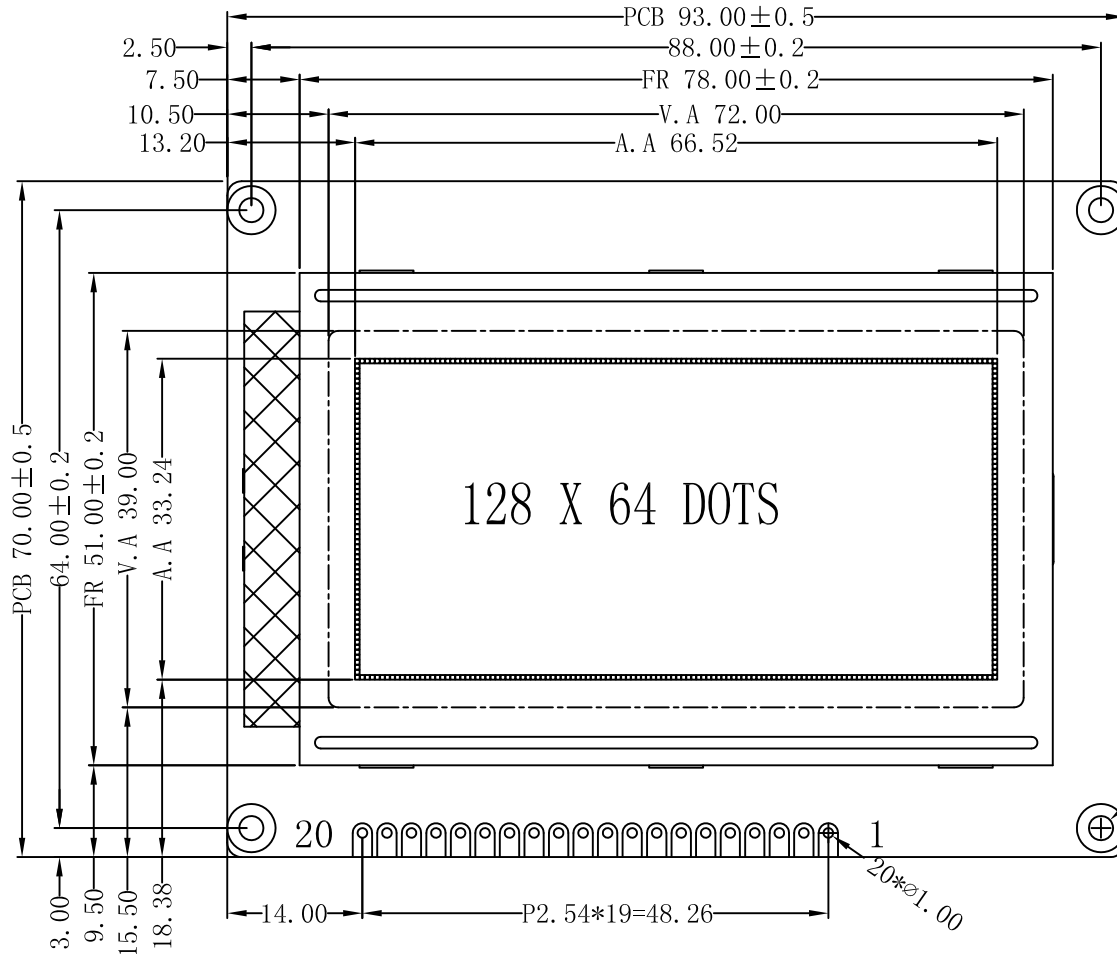


REV:	DESCRIPTION	BY	DATE
V1.0	New issue	Mike	2013-03-10



DOT SIZE:

NO	Symbol
1	VSS
2	VDD(5.0V)
3	V0
4	RS
5	RW
6	E
7	DB0
8	DB1
9	DB2
10	DB3
11	DB4
12	DB5
13	DB6
14	DB7
15	CS1
16	CS2
17	RST
18	VEE
19	LEDA(5.0V)
20	LEDK

- NOTES :
- |   |                                 |
|---|---------------------------------|
| 1. LCD TYPE:  | STN-Gray, Positive Transmissive |
| 2. OPERATING VOLTAGE:   | VDD=5.0V, Vop=9.0V              |
| 3. VIEWING DIRECTION:   | 6 O'CLOCK                       |
| 4. DRIVE METHOD:  | 1/64 Duty, 1/9 Bias             |
| 5. OPERATING TEMP:  | -20°C TO +70°C                  |
| 6. STORAGE TEMP:  | -30°C TO +80°C                  |
| 7. CONNECTOR TAPE:  | Zebra                           |
| 8. DRIVER IC:   | AIP31107 or Equivalent          |
| 9. BACKLIGHT:   | White                           |
| 10. ALL sub-parts and materials of the parts, must comply with the RoHS instructions of EU. |                                 |

		<b>SINDA DISPLAY TECHNOLOGY CO., LTD.</b>	
SHEET: 1 of 1		MODEL NUMBER : SDGB12864-02	VERSION: 1.0
APPROVALS		DATE	UNITS: MM
DWN	Mike	2013-03-10	DO NOT SCALE THIS DRAWING.
CHK			
APP	CJ	2013-03-10	
www.sindadisplay.com			SCALE: 1:1