

8

7

6

5

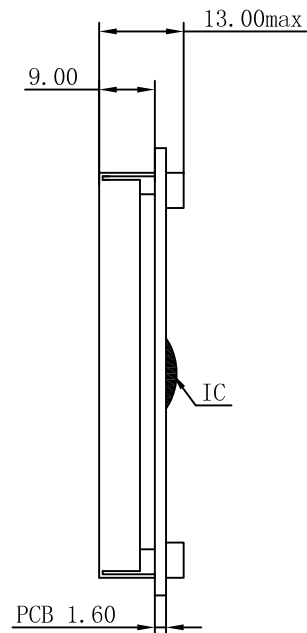
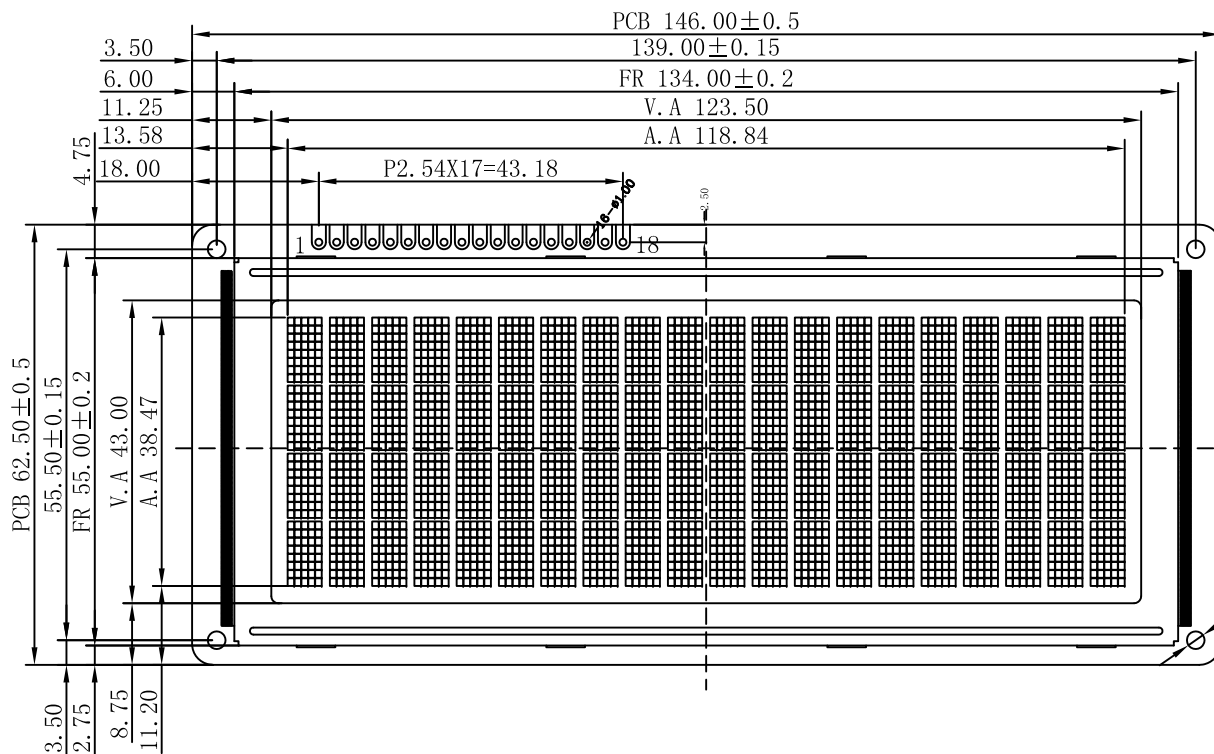
4

3

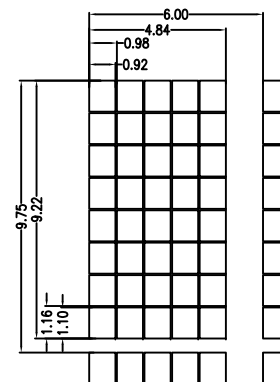
2

1

REV:	DESCRIPTION	BY	DATE
V1.0	New issue	Mike	2018-12-24



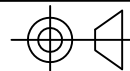
NO	Symbol
1	VSS
2	VDD
3	V0
4	RS
5	RW
6	E
7	DB0
8	DB1
9	DB2
10	DB3
11	DB4
12	DB5
13	DB6
14	DB7
15	A
16	K
17	NC/VEE
18	NC



DOT SIZE:

NOTES :

- 1. LCD TYPE: STN Y-G, Positive Transmissive
- 2. OPERATING VOLTAGE: VDD=5.0V, Vop=5.0V
- 3. VIEWING DIRECTION: 6 O'CLOCK
- 4. DRIVE METHOD: 1/16 Duty, 1/5 Bias
- 5. OPERATING TEMP: -20°C TO +70°C
- 6. STORAGE TEMP: -30°C TO +80°C
- 7. CONNECTOR TAPE: Zebra
- 8. DRIVER IC: AIP31066 or Equivalent
- 9. BACKLIGHT: Yellow-Green LED 6PCS VF=3.1±0.2V, IF=15x6mA
- 10. ALL sub-parts and materials of the parts, must comply with the RoHS instructions of EU.



SINDA DISPLAY TECHNOLOGY CO., LTD.

SHEET: 1 of 1		
APPROVALS	DATE	
DWN	SD-03	2018-12-24
CHK		
APP	SD-11	2018-12-24

MODEL NUMBER :
SDCB2004-07

VERSION: 1.0	UNITS: MM
GENERAL TOL: ± 0.2	
DO NOT SCALE THIS DRAWING.	

www.sindadisplay.com

SCALE: 1:1

8

7

6

5

4

3

2

1

D

C

B

A

D

C

B

A