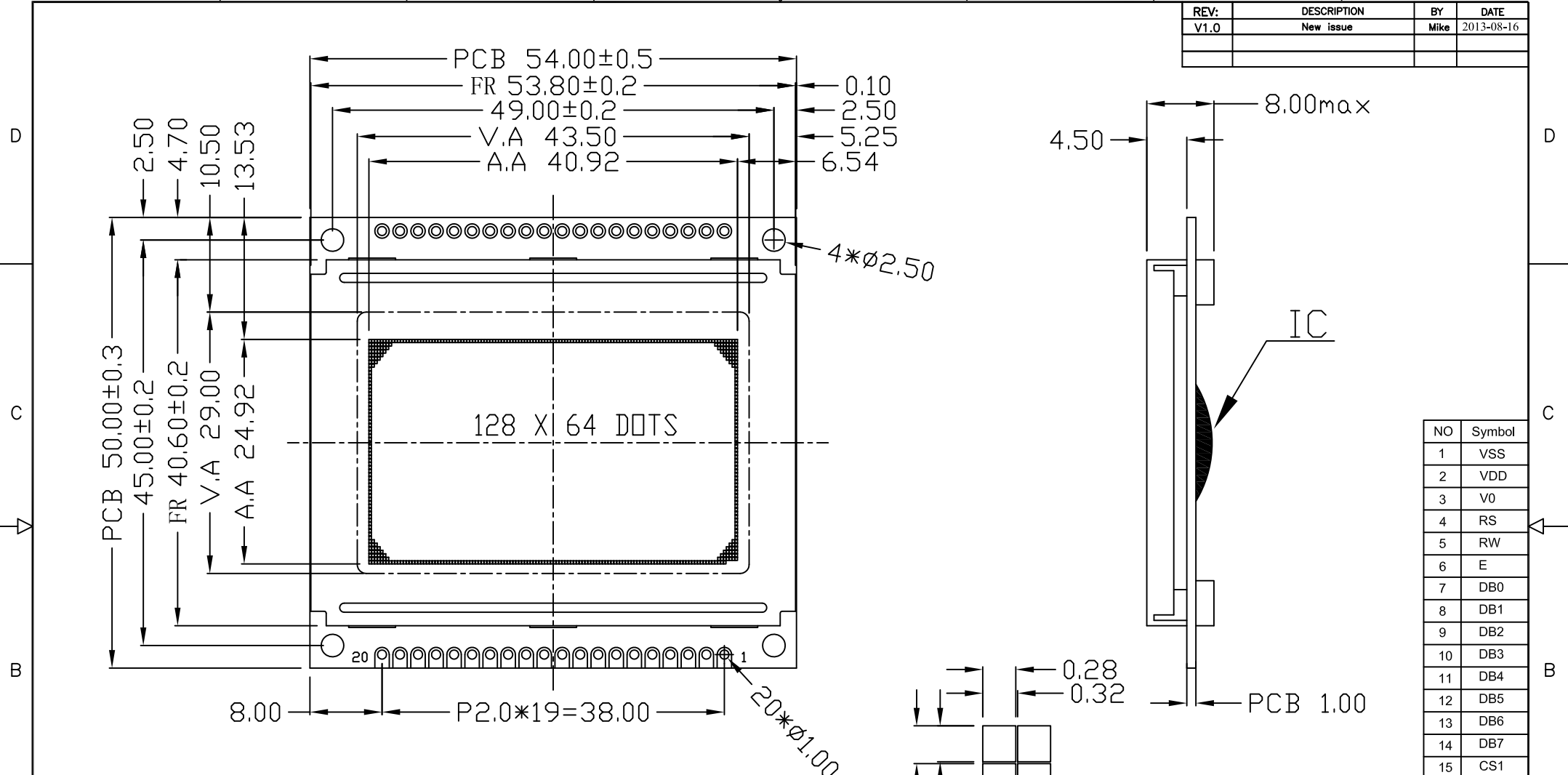


REV:	DESCRIPTION	BY	DATE
V1.0	New issue	Mike	2013-08-16



NO	Symbol
1	VSS
2	VDD
3	V0
4	RS
5	RW
6	E
7	DB0
8	DB1
9	DB2
10	DB3
11	DB4
12	DB5
13	DB6
14	DB7
15	CS1
16	CS2
17	RST
18	VEE
19	ELA
20	ELK

NOTES :

1. LCD TYPE:	FSTN, Positive Transflective
2. OPERATING VOLTAGE:	VDD=5.0V, Vop=8.7V
3. VIEWING DIRECTION:	6 O'CLOCK
4. DRIVE METHOD:	1/64 Duty, 1/9 Bias
5. OPERATING TEMP:	-20°C TO +70°C
6. STORAGE TEMP:	-30°C TO +80°C
7. CONNECTOR TAPE:	Zebra
8. DRIVER IC:	SBN0064 or Equivalent
9. BACKLIGHT:	White
10. ALL sub-parts and materials of the parts, must comply with the RoHS instructions of EU.	

		<b>SINDA DISPLAY TECHNOLOGY CO., LTD.</b>	
SHEET: 1 of 1		MODEL NUMBER : SDGB12864FSW-01	VERSION: 1.0
APPROVALS	DATE	UNITS: MM	
DWN Mike	2013-08-16	GENERAL TOL: ± 0.2	
CHK		DO NOT SCALE THIS DRAWING.	
APP CJ	2013-08-16	SCALE: 1:1	
www.sindadisplay.com			