

8

7

6

5

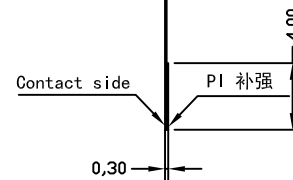
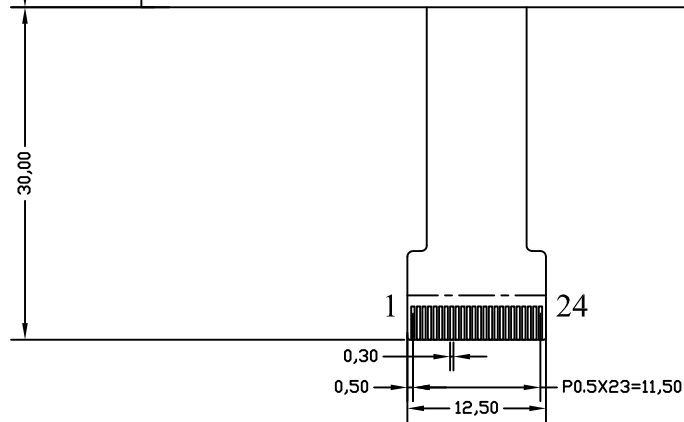
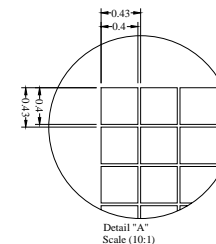
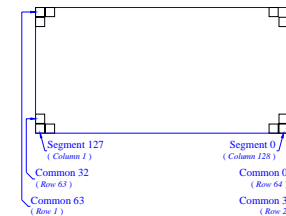
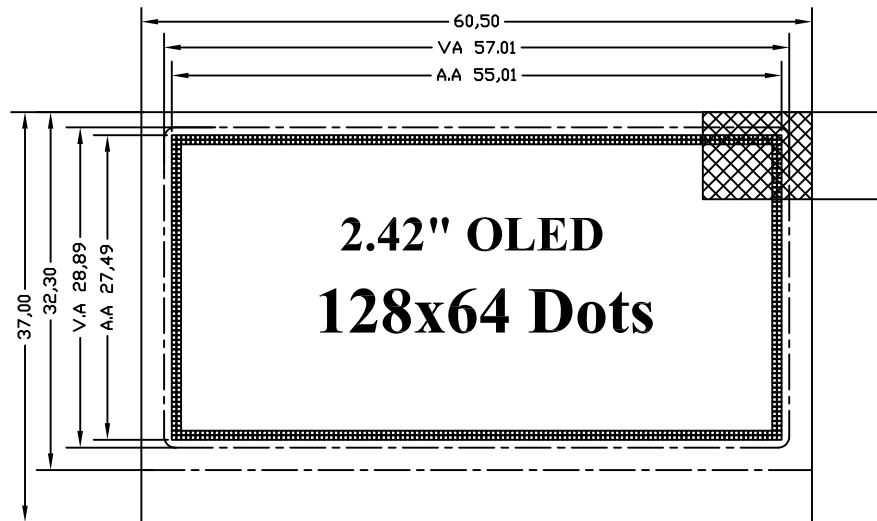
4

3

2

1

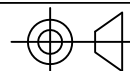
REV:	DESCRIPTION	BY	DATE
V1.0	New issue		



Pin	Symbol
1	VSS
2	VCC
3	VDD
4	BS0
5	BS1
6	BS2
7	CS
8	RES
9	D/C
10	W/R
11	R/D
12	D0
13	D1
14	D2
15	D3
16	D4
17	D5
18	D6
19	D7
20	IREF
21	VCOMH
22	VCC
23	VSS
24	NC

Notes:

1. Color: Light White
2. Driver IC: SDP0301
3. Interface: 8080/6800Parallel,4-SPI, I²C



SINDA SINDA DISPLAY TECHNOLOGY CO., LTD.

SHEET: 1 of 1		
APPROVALS	DATE	
DWN	SD-02	2015-12-31
CHK		
APP	SD-11	2015-12-31

MODEL NUMBER : SDO12864-09

VERSION: 1.0 UNITS: MM

GENERAL TOL: ± 0.2

DO NOT SCALE THIS DRAWING.

www.sindadisplay.com

SCALE: 1:1

8

7

6

5

4

3

2

1