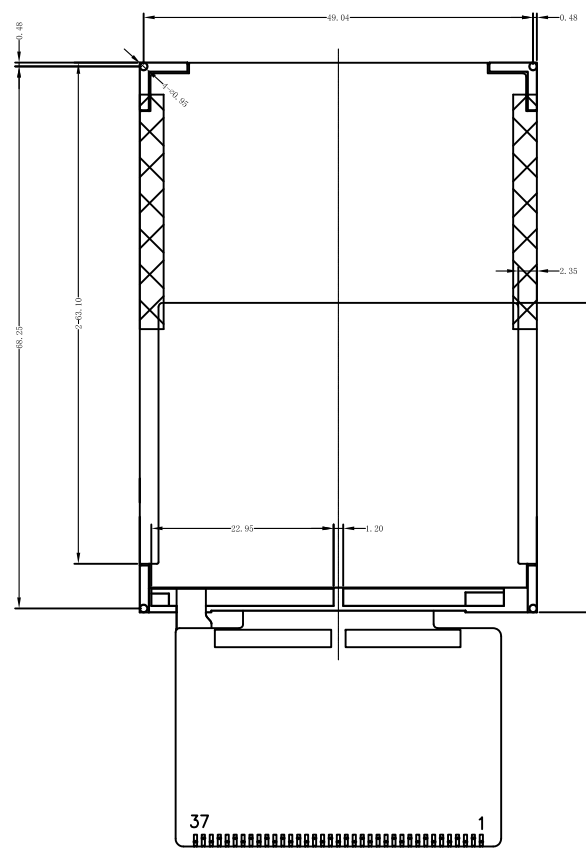
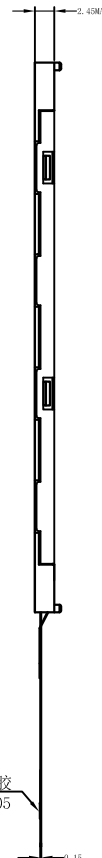
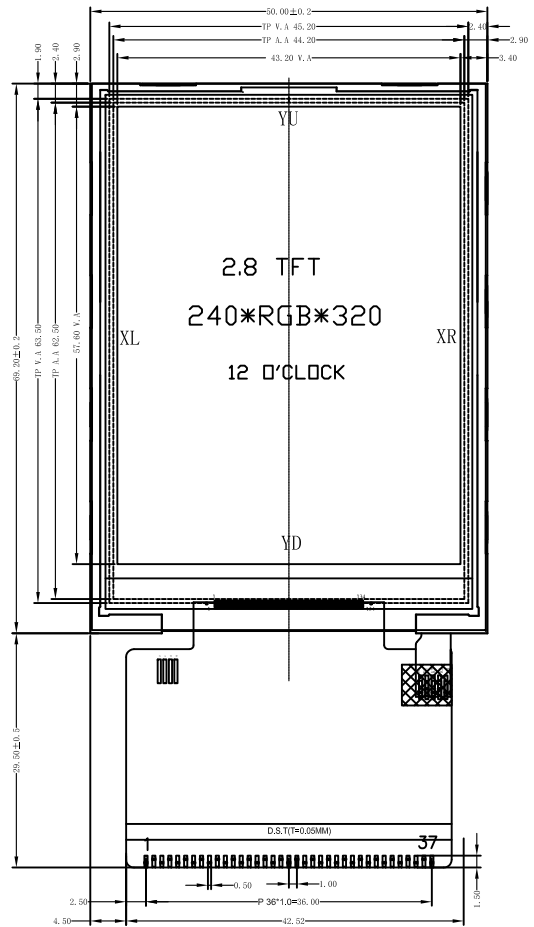
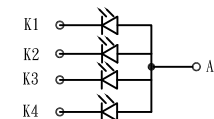


REV:	DESCRIPTION	BY	DATE
V1.0	NEW	SD-03	



1	DB0
2	DB1
3	DB2
4	DB3
5	GND
6	IOVCC
7	/CS
8	RS
9	/WR
10	/RD
11	LEDK6/NC
12	XR
13	YD
14	XL
15	YU
16	LEDA
17	LEDK1
18	LEDK2
19	LEDK3
20	LEDK4
21	LEDK5/NC
22	DB4
23	DB8
24	DB9
25	DB10
26	DB11
27	DB12
28	DB13
29	DB14
30	DB15
31	/RESET
32	VCI
33	VCC
34	GND
35	DB5
36	DB6
37	DB7



IF=4*15mA

- LED CIRCUIT DIAGRAM
- 1.BackLight:4 CHIP LEDS,parallel connection
 - 2.BackLightLuminance:>3500cd/m2
 - 3.Back Light Driver Voltage:3.0±0.2V
 - 4.Back Light Circuit:60mA

NOTES :

- 1.Display Type : TFT/262K colors
- 2.Viewing Direction : 12:00
- 3.Driver IC: ILI9341
- 4.Logic Voltage :3.3V
- 5.Operating Temperature : -20°~ +70°C
- 6.Storage Temperature : -30°~ +80°C
- 7.Requirements on Environmental Protection :ROHS

IM0=1/R1=0	8bit(DB10~DB17)
IM0=0/R2=0	16bit

SINDA DISPLAY TECHNOLOGY CO., LTD.				
SHEET: 1 of 1		MODEL NUMBER : SDT02806-A37	VERSION: 1.0	UNITS: MM
APPROVALS	DATE	GENERAL TOL:± 0.2		
DWN	SD-03	DO NOT SCALE THIS DRAWING.		
CHK				
APP	SD-11			
		www.sindadisplay.com		SCALE: 1:1