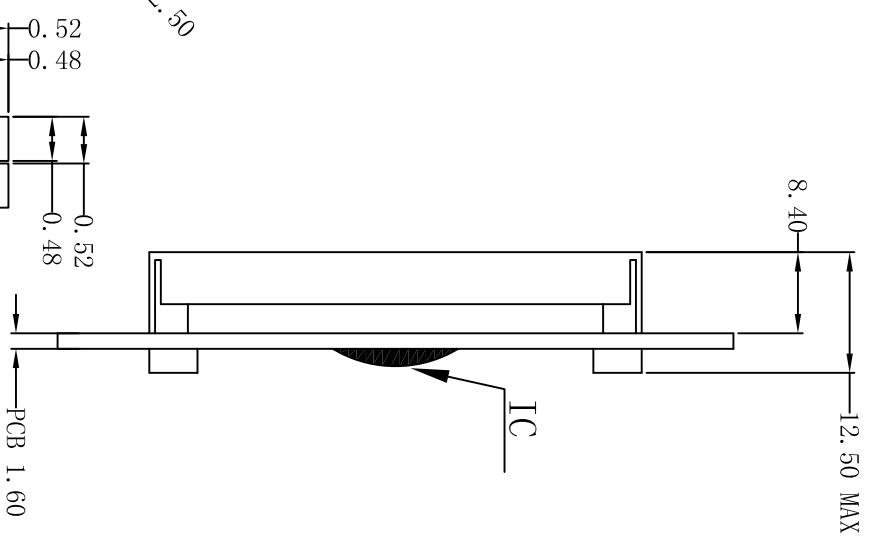
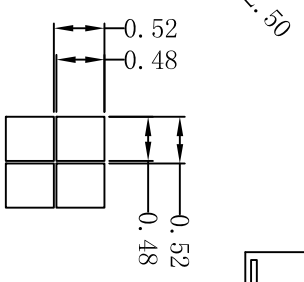
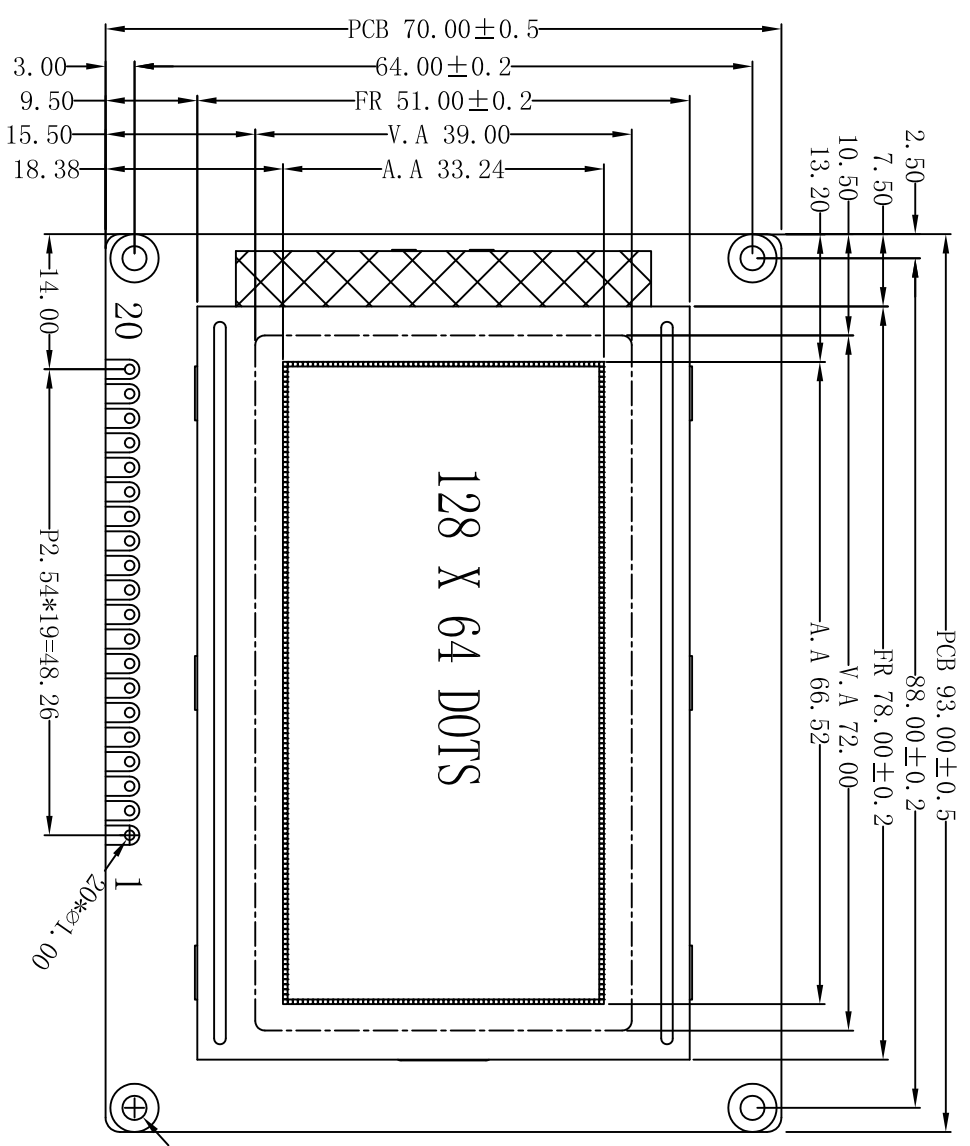


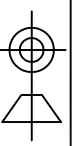
REV:	DESCRIPTION	BY	DATE
V1.0	New Issue	Mike	2013-03-10



NO	Symbol
1	VSS
2	VDD(5.0V)
3	V0
4	/WR
5	/RD
6	/CE
7	DB0
8	DB1
9	DB2
10	DB3
11	DB4
12	DB5
13	DB6
14	DB7
15	FS
16	C/D
17	RST
18	VEE
19	LEDA(5.0V)
20	LEDC

NOTES :

- LCD TYPE: STN-Blue, Negative Transmissive
- OPERATING VOLTAGE: VDD=5.0V, Vop=9.0V
- VIEWING DIRECTION: 6 O'CLOCK
- DRIVE METHOD: 1/64 Duty, 1/9 Bias
- OPERATING TEMP: -20°C TO +70°C
- STORAGE TEMP: -30°C TO +80°C
- CONNECTOR TAPE: Zebra
- DRIVER IC: RA6963 or Equivalent
- BACKLIGHT: White
- ALL sub-parts and materials of the parts, must comply with the RoHS instructions of EU.



**SINDA DISPLAY TECHNOLOGY CO., LTD.**

SHEET: 1 of 1	MODEL NUMBER : SDGB12864-06	VERSION: 1.0	UNITS: MM
APPROVALS	DATE	GENERAL TOL: ± 0.2	
DWN Mike	2013-03-10	DO NOT SCALE THIS DRAWING.	
CHK			
APP	CJ	2013-03-10	SCALE: 1:1