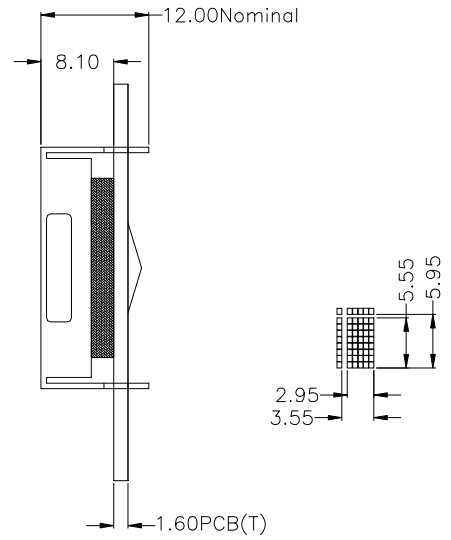
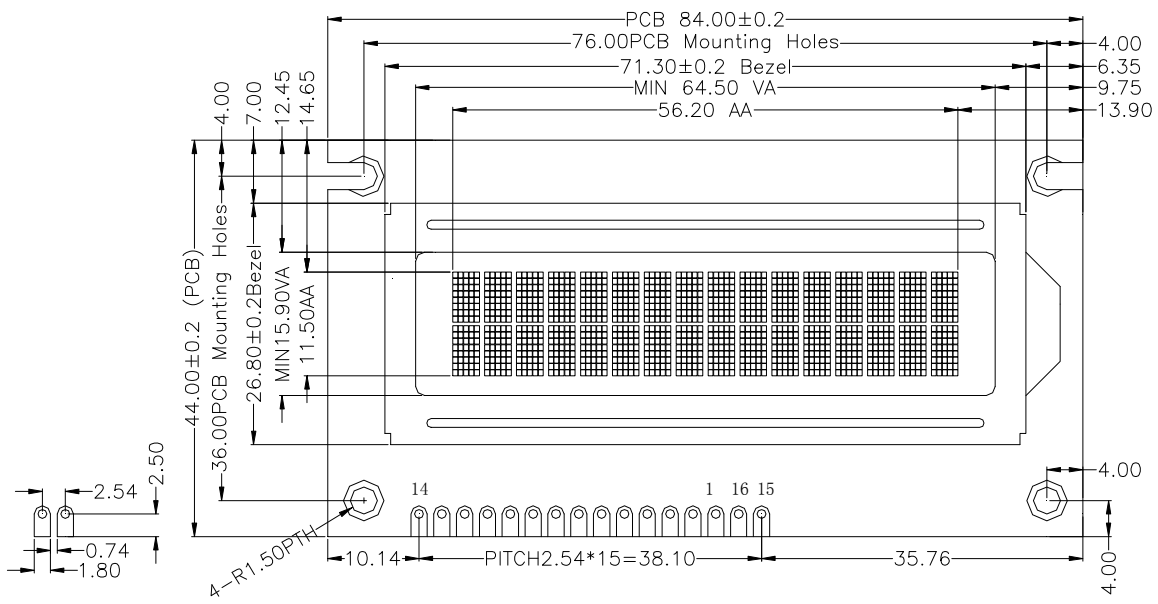


REV:	DESCRIPTION	BY	DATE
V1.0	New issue	SD-06	2015-04-25



PIN	1	2	3	4	5	6	7	8
NAME	GND	VDD	V0	RS	R/W	E	DB0	DB1
PIN	9	10	11	12	13	14	15	16
NAME	DB2	DB3	DB4	DB5	DB6	DB7	A	K

NOTE:

- DISPLAY TYPE: STN YELLOW-GREEN POSITIVE MODE
- LCD POLARIZER TYPE: TRANSFLECTIVE
- VIEWING DIRECTION: 6 O'CLOCK
- OPERATING VOLTAGE: VDD=5.0V VLCD=4.5V
- OPERATING TEMP: -20~70°C
- STORAGE TEMP: -30~+80°C
- DRIVE METHOD: 1/16DUTY,1/4BIAS
- LCD CONNECTOR: COB
- DISPLAY DRIVER: SPLC780D
- BACK LIGHT: (YELLOW-GREEN)BOTTOM
- Unspecified tolerance is ±0.20mm
- RDHS Request

		SINDA DISPLAY TECHNOLOGY CO., LTD.	
SHEET: 1 of 1		MODEL NUMBER : SDCB1602-03	VERSION: 1.0
APPROVALS	DATE	UNITS: MM	
DWN	SD-06	GENERAL TOL: ± 0.2	
CHK	2015-04-25	DO NOT SCALE THIS DRAWING.	
APP	SD-11	SCALE: 1:1	
		www.sindadisplay.com	