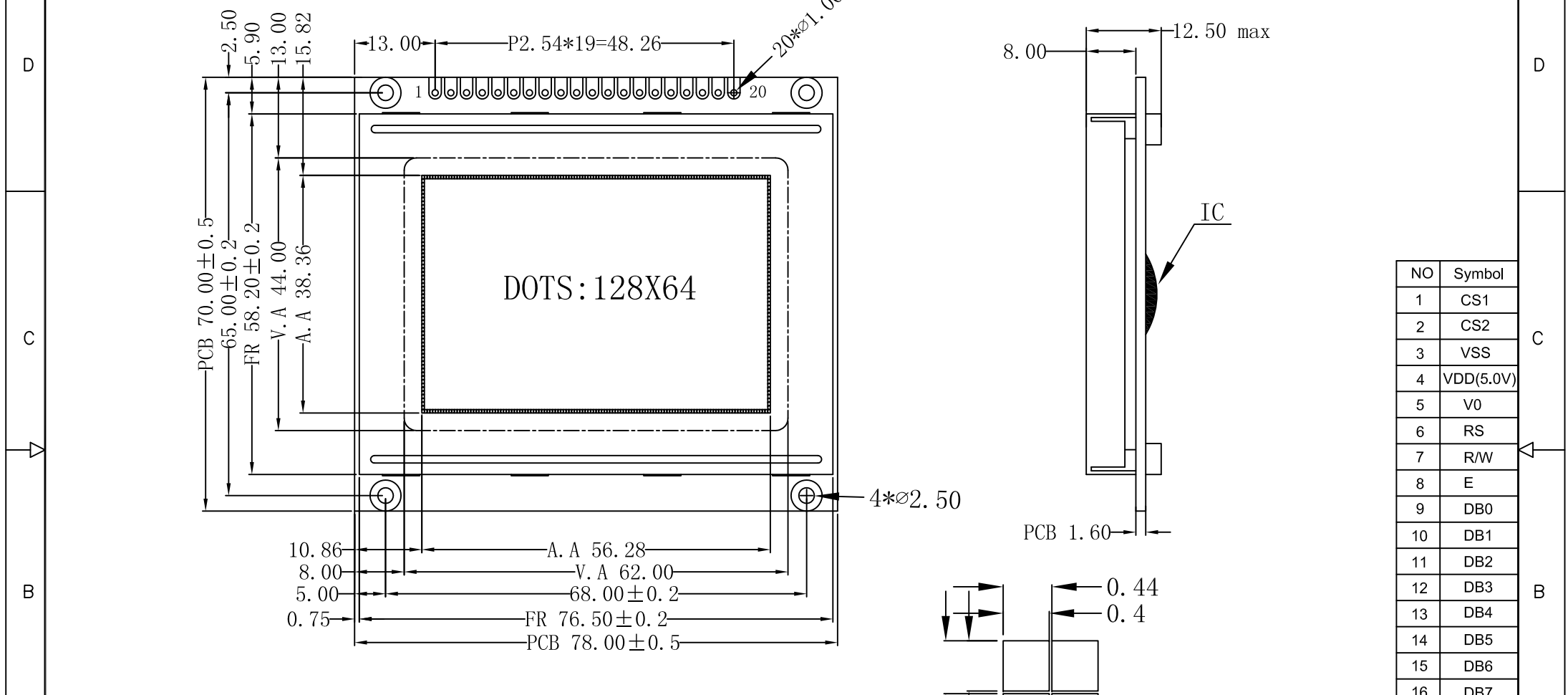



REV:	DESCRIPTION	BY	DATE
V1.0	New issue	Mike	2013-08-20



NO	Symbol
1	CS1
2	CS2
3	VSS
4	VDD(5.0V)
5	V0
6	RS
7	R/W
8	E
9	DB0
10	DB1
11	DB2
12	DB3
13	DB4
14	DB5
15	DB6
16	DB7
17	RST
18	VOUT
19	LED-A(5V)
20	LED-K

NOTES :

1. LCD TYPE:	STN-Blue, Negative Transmissive
2. OPERATING VOLTAGE:	VDD=5.0V, Vop=9.0V
3. VIEWING DIRECTION:	6 O'CLOCK
4. DRIVE METHOD:	1/64 Duty, 1/9 Bias
5. OPERATING TEMP:	-20°C TO +70°C
6. STORAGE TEMP:	-30°C TO +80°C
7. CONNECTOR TAPE:	Zebra
8. DRIVER IC:	AIP31107 or Equivalent
9. BACKLIGHT:	White
10. ALL sub-parts and materials of the parts, must comply with the RoHS instructions of EU.	

 SINDA DISPLAY TECHNOLOGY CO., LTD.				
SHEET: 1 of 1		MODEL NUMBER : SDGB12864-05	VERSION: 1.0	UNITS: MM
APPROVALS	DATE	DO NOT SCALE THIS DRAWING.		
DWN Mike	2013-08-20			
CHK APP CJ	2013-08-20			
www.sindadisplay.com			SCALE: 1:1	