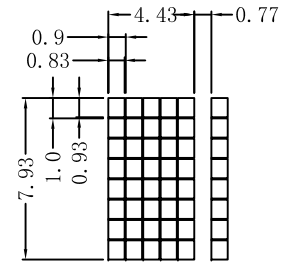
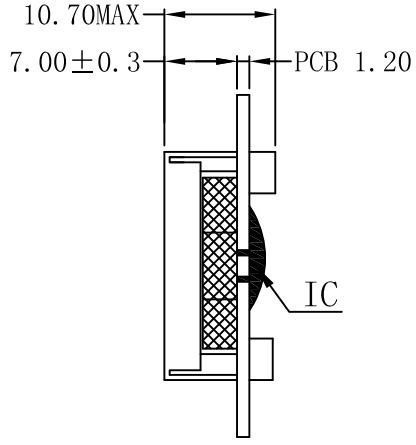
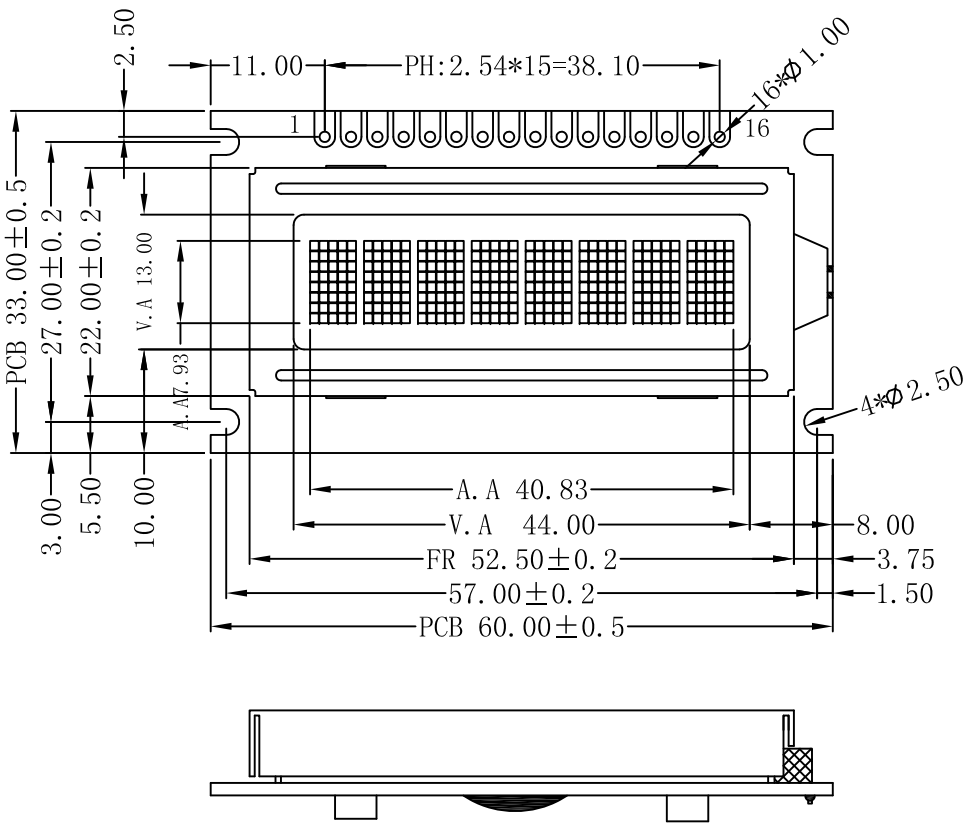


REV:	DESCRIPTION	BY	DATE
V1.0	New issue	mick	2017-04-18



INTERFACE:	
1	VSS
2	VDD(5V)
3	V0
4	RS
5	RW
6	E
7	DB0
8	DB1
9	DB2
10	DB3
11	DB4
12	DB5
13	DB6
14	DB7
15	LEDK
16	LEDA(21V)

- NOTES:
- 01. DISPLAY TYPE: STN/POSITIVE(YELLOW-GREEN)/TRANSFLECTIVE RoHS
 - 02. OPERATING VOLTAGE: VDD=5.0V,VOP=4.8V
 - 03. OPERATING TEMPERATURE: -30°C~+80°C
 - 04. STORAGE TEMPERATURE: -30°C~+85°C
 - 05. DRIVE MODE: 1/8DUTY,1/4BIAS
 - 06. VIEWING DIRECTION: 6:00
 - 07. DRIVE IC: SPLC780B
 - 08. CONNECTOR: ZEBER
 - 09. BACKLIGHT: LED(YELLOW-GREEN)
 - 10. CUSTOMER'S PART ID:

		SINDA DISPLAY TECHNOLOGY CO., LTD.	
SHEET: 1 of 1		MODEL NUMBER : SDCB0801-03	VERSION: 1.0
APPROVALS	DATE	GENERAL TOL: \pm 0.2	
DWN Mick	2017-04-18	UNITS: MM	
CHK		DO NOT SCALE THIS DRAWING.	
APP CJ	2017-04-18	SCALE: 1:1	
www.sindadisplay.com			