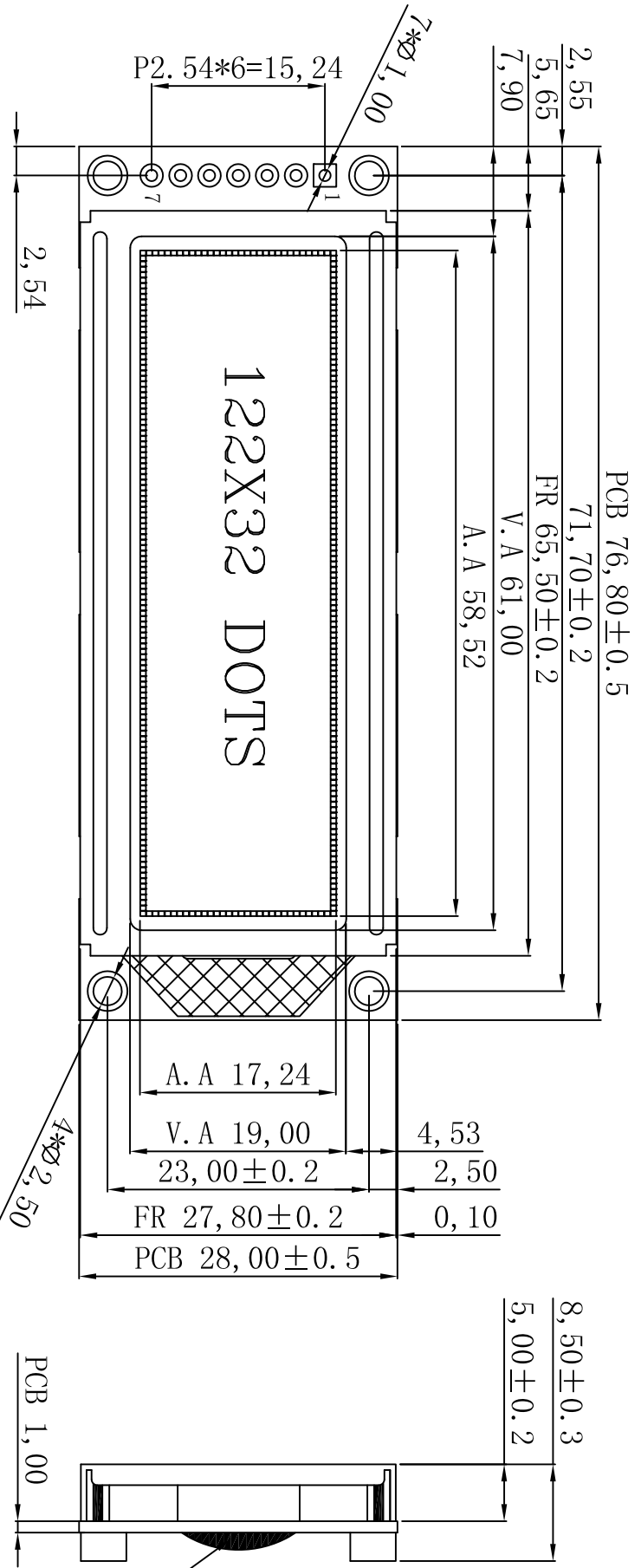
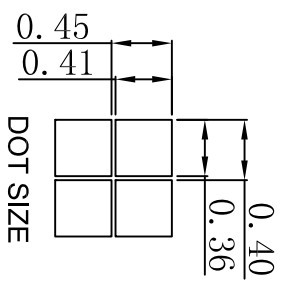


REV:	DESCRIPTION	BY	DATE
V1.0	New Issue	Mike	2013-05-10



NOTES:

- LCD TYPE: STN Yellow-Green, Positive Transflective
- OPERATING VOLTAGE: VDD=5.0V, V_{op}=5.0V
- VIEWING DIRECTION: 6 O'CLOCK
- DRIVE METHOD: 1/32 Duty, 1/5 Bias
- OPERATING TEMP: -20°C TO +70°C
- STORAGE TEMP: -30°C TO +80°C
- CONNECTOR TAPE: Zebra
- DRIVER IC: AIP31020 or Equivalent
- BACKLIGHT: Yellow-Green
- ALL sub-parts and materials of the parts, must comply with the RoHS instructions of EU.



NO	Symbol
1	VSS
2	VDD
3	/CS
4	SID
5	SCLK
6	/RST
7	LEDA

		SINDA DISPLAY TECHNOLOGY CO., LTD.	
SHEET: 1 of 1		MODEL NUMBER: SDGB12232-05	
APPROVALS:		VERSION: 1.0	
DATE: 2013-05-10		GENERAL TOL: ± 0.2 MM	
DWN: Mike		DO NOT SCALE THIS DRAWING.	
CHK:		SCALE: 1:1	
APP: CJ		www.sindadisplay.com	