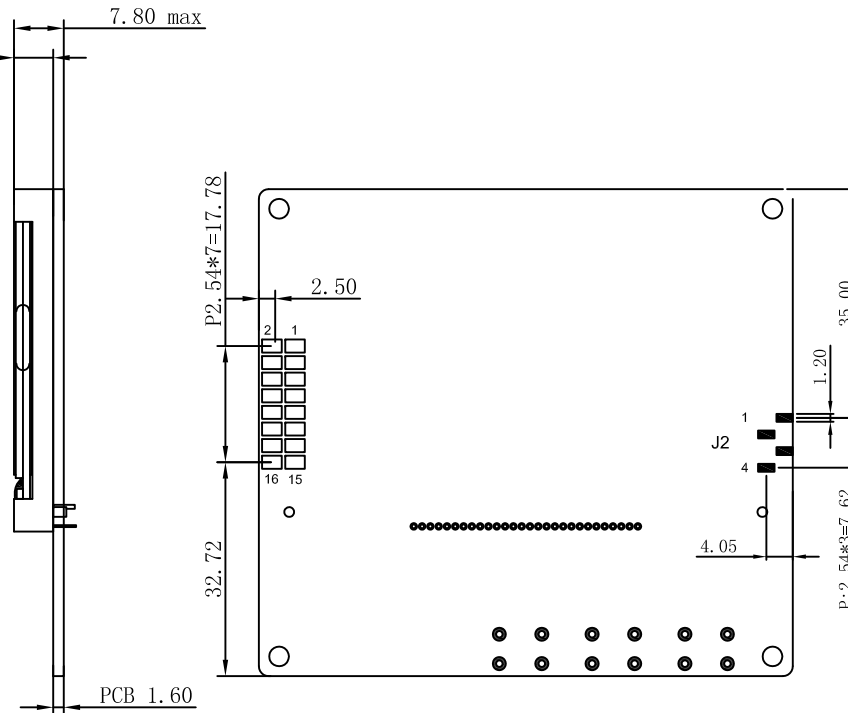
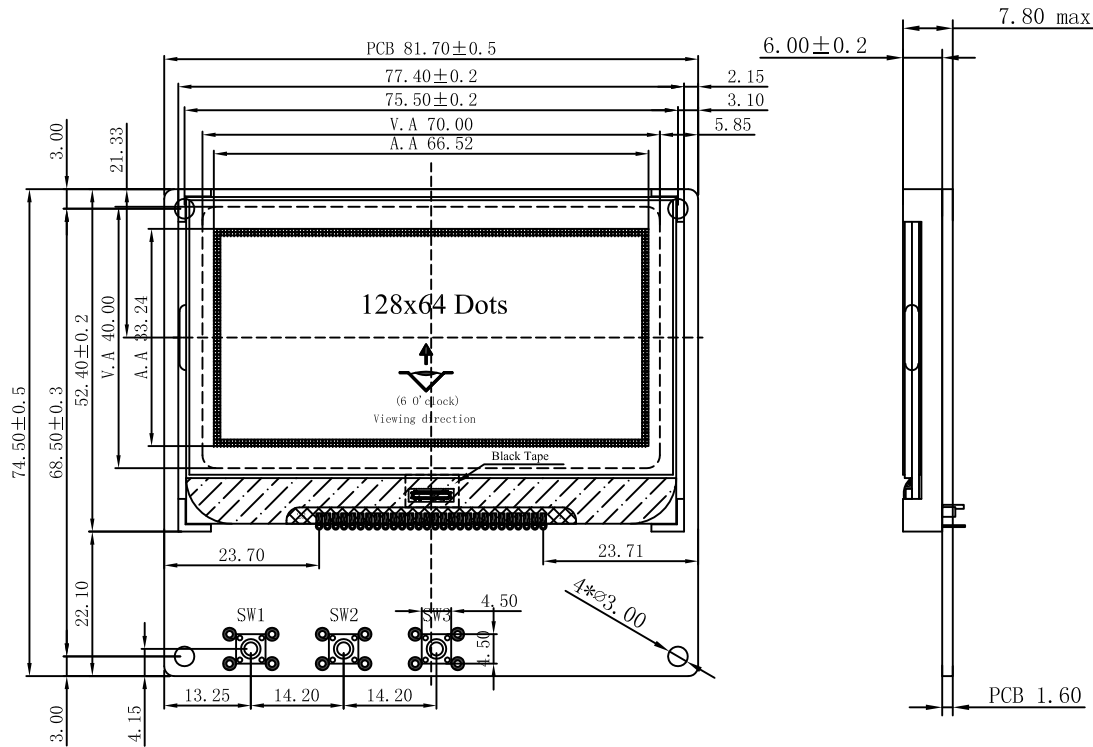
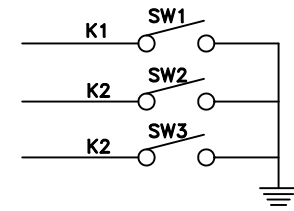
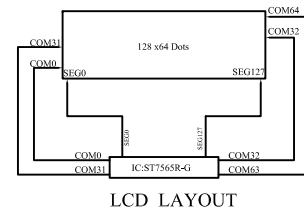


REV:	DESCRIPTION	BY	DATE
V1.0	New issue		
V2.0	Change to I/O		



NO	Symbol
1	/WR
2	/RST
3	LEDEN
4	A0
5	D7
6	D6
7	D5
8	D4
9	D3
10	D2
11	D1
12	D0
13	K1
14	K2
15	K3
16	N.C



- NOTES :
- LCD TYPE: FSTN Positive Transflective
 - OPERATING VOLTAGE: VDD=3.3V, Vop=9.0V
 - VIEWING DIRECTION: 6 O'CLOCK
 - DRIVE METHOD: 1/64 Duty, 1/9 Bias
 - OPERATING TEMP: -20°C TO +70°C
 - STORAGE TEMP: -30°C TO +80°C
 - CONNECTOR TAPE: FPC
 - DRIVER IC: ST7565R or Equivalent
 - BACKLIGHT: White
 - ALL sub-parts and materials of the parts, must comply with the RoHS instructions of EU.

		SINDA DISPLAY TECHNOLOGY CO., LTD.	
SHEET: 1 of 1		MODEL NUMBER : SDGG12864-128A	VERSION: 2.0
APPROVALS	DATE	GENERAL TOL: ± 0.2	
DWN CJ	2016-07-20	DO NOT SCALE THIS DRAWING.	
CHK		www.sindadisplay.com	
APP Mike	2016-07-20		
		SCALE: 1:1	UNITS: MM

