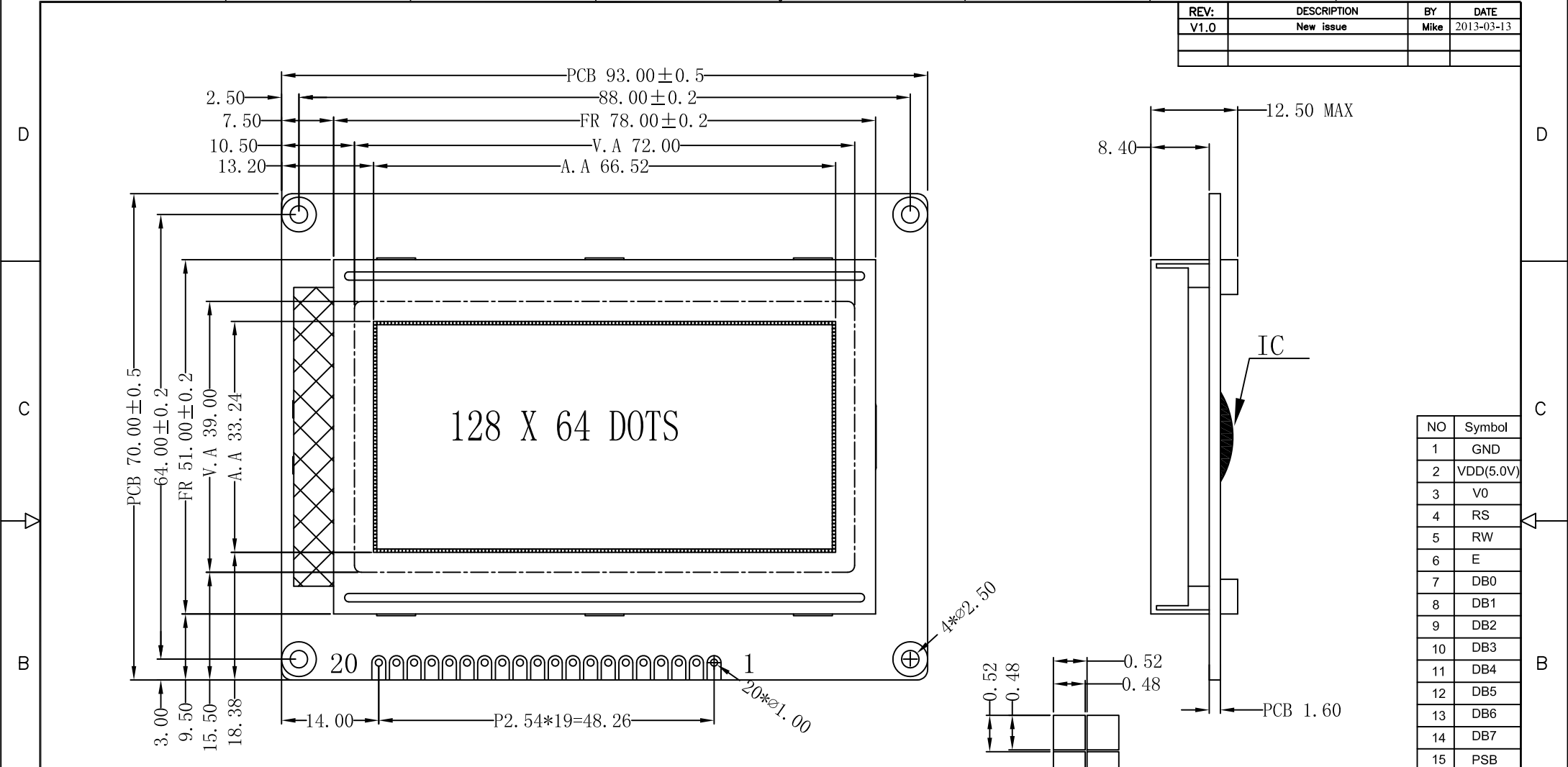


REV:	DESCRIPTION	BY	DATE
V1.0	New issue	Mike	2013-03-13



- NOTES :
- | | |
|---|---------------------------------|
| 1. LCD TYPE: | STN-Blue, Negative Transmissive |
| 2. OPERATING VOLTAGE: | VDD=5.0V, Vop=5.0V |
| 3. VIEWING DIRECTION: | 6 O'CLOCK |
| 4. DRIVE METHOD: | 1/32 Duty, 1/6 Bias |
| 5. OPERATING TEMP: | -20°C TO +70°C |
| 6. STORAGE TEMP: | -30°C TO +80°C |
| 7. CONNECTOR TAPE: | Zebra |
| 8. DRIVER IC: | AIP31020 or Equivalent |
| 9. BACKLIGHT: | White |
| 10. ALL sub-parts and materials of the parts, must comply with the RoHS instructions of EU. | |

		SINDA DISPLAY TECHNOLOGY CO., LTD.	
SHEET: 1 of 1		MODEL NUMBER : SDGB12864-09	VERSION: 1.0 GENERAL TOL: ± 0.2 DO NOT SCALE THIS DRAWING.
APPROVALS	DATE	UNITS: MM	
DWN	SD-02	2013-03-13	
CHK			
APP	SD-11	2013-03-13	
www.sindadisplay.com		SCALE: 1:1	