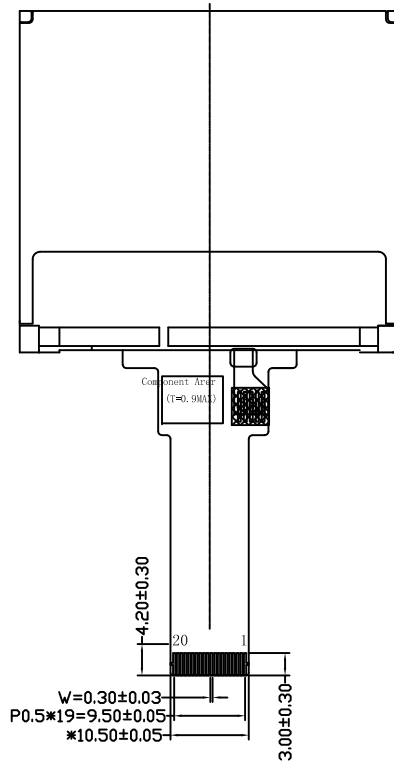
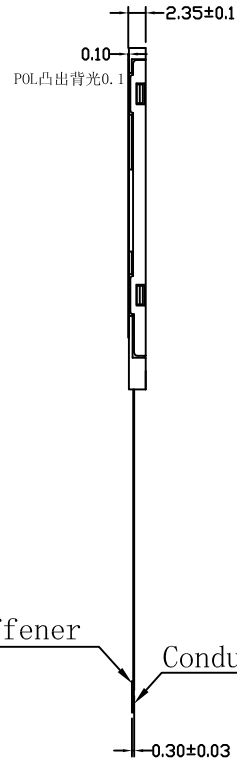
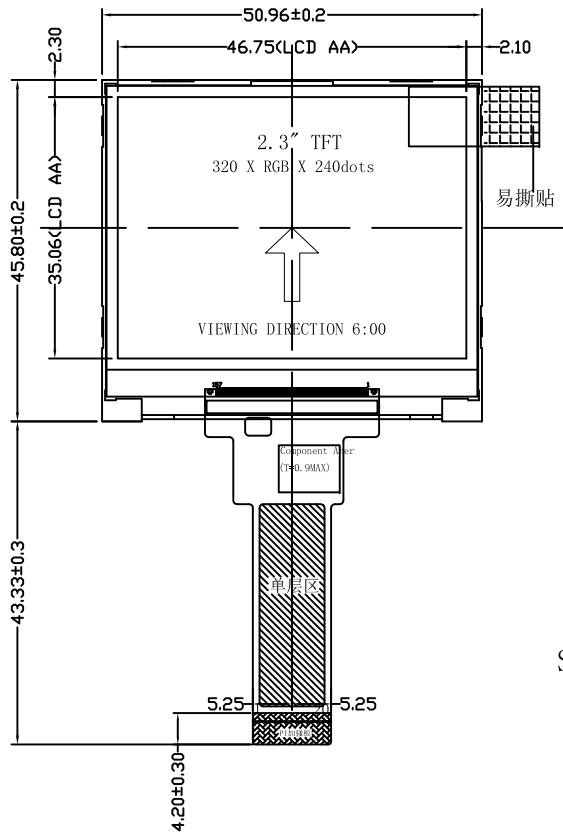


| REV: | DESCRIPTION | BY | DATE |
|------|-------------|-------|------------|
| V1.0 | New issue | SD-04 | 2018-03-20 |
| | | | |

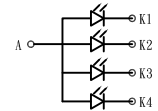


| Pad N | Pad Name |
|-------|----------|
| 1 | LED_A |
| 2 | LED_K1 |
| 3 | LED_K2 |
| 4 | LED_K3 |
| 5 | LED_K4 |
| 6 | GND |
| 7 | RESET |
| 8 | NC |
| 9 | GND |
| 10 | D/CX |
| 11 | SDA |
| 12 | IOVCC |
| 13 | SCL |
| 14 | CSX |
| 15 | GND |
| 16 | NC |
| 17 | NC |
| 18 | VCI |
| 19 | IOVCC |
| 20 | GND |

NOTES:

1. DISPLAY TYPE: TFT-LCD, TRANSMISSIVE
2. VIEWING DIRECTION: 6 O' CLOCK
2. OPERATING TEMP: -20° C ~ 70° C
3. STORAGE TEMP: -30° C ~ 80° C
4. DRIVER IC: COG ILI9342C
5. BACK LIGHT: 4 CHIP WHITE LED (Parallel)

LED CIRCUIT DIAGRAM:



FPC
展开出货

| | | | |
|---------------|-------|---|--------------|
| | | SINDA DISPLAY TECHNOLOGY CO., LTD. | |
| SHEET: 1 of 1 | | MODEL NUMBER : SDT02301-A20 | VERSION: 1.0 |
| APPROVALS | DATE | UNITS: MM | |
| DWN | SD-04 | GENERAL TOL: ± 0.2 | |
| CHK | | DO NOT SCALE THIS DRAWING. | |
| APP | SD-11 | SCALE: 1:1 | |
| | | www.sindadisplay.com | |