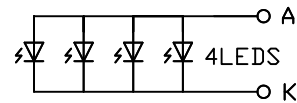
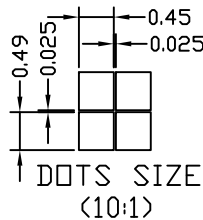
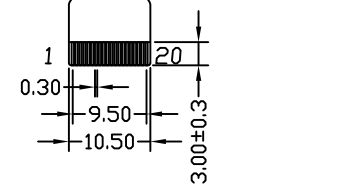
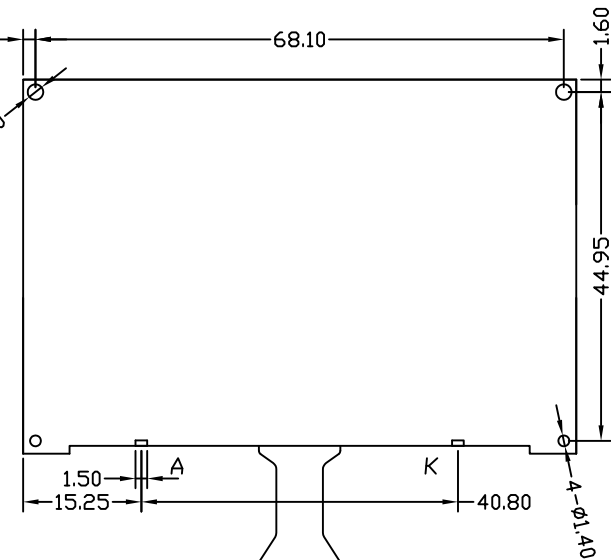
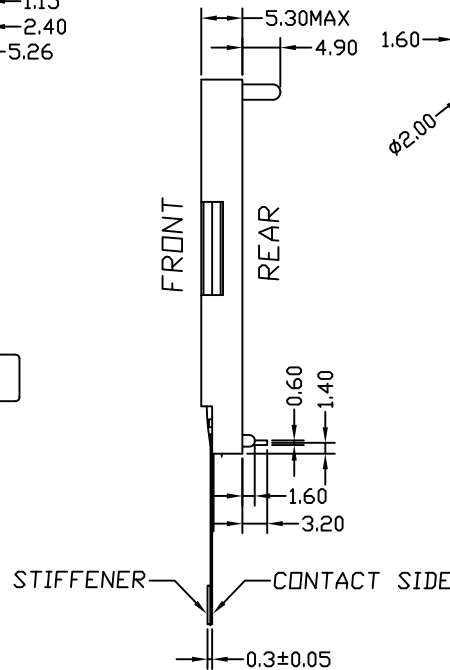
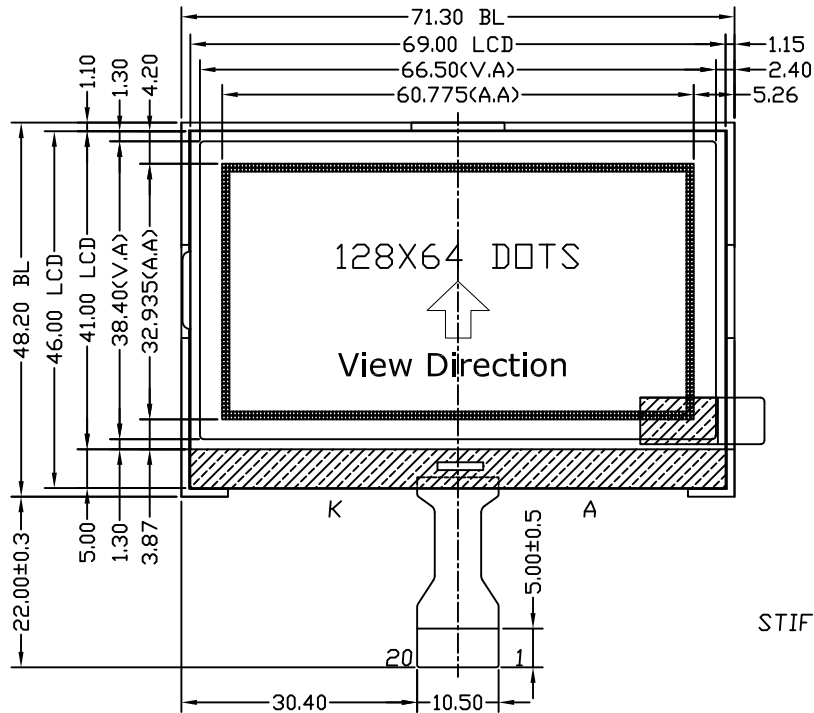
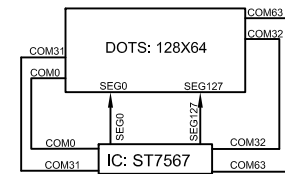


REV:	DESCRIPTION	BY	DATE
V1.0	New issue	SD-05	2017-02-23



BackLight Circuit



COM & SEG LAYOUT

NO	Symbol
1	CS
2	RST
3	RS
4	WR
5	RD
6	D0
7	D1
8	D2
9	D3
10	D4
11	D5
12	D6
13	D7
14	VDD
15	VSS
16	V0
17	XV0
18	VG
19	C86
20	P/S

NOTES :

- | | |
|---|---|
| 1. LCD TYPE: | FSTN, Positive Transmissive |
| 2. OPERATING VOLTAGE: | VDD=3.0V, Vop=7.0V |
| 3. VIEWING DIRECTION: | 6 O'CLOCK |
| 4. DRIVE METHOD: | 1/65 Duty, 1/9 Bias |
| 5. OPERATING TEMP: | -20°C TO +70°C |
| 6. STORAGE TEMP: | -30°C TO +80°C |
| 7. CONNECTOR TAPE: | COG+PFC |
| 8. DRIVER IC: | ST7567 |
| 9. BACKLIGHT: | 4 pcs LED White, VF=3.1±0.2V, IF=15x4mA |
| 10. ALL sub-parts and materials of the parts, must comply with the RoHS instructions of EU. | |

SINDA DISPLAY TECHNOLOGY CO., LTD.	
SHEET: 1 of 1	
APPROVALS DATE	
DWN	SD-05 2017-02-23
CHK	
APP	SD-11 2017-02-23
SDGG12864-60	
www.sindadisplay.com	
VERSION: 1.0 UNITS: MM	
GENERAL TOL: ± 0.2	
DO NOT SCALE THIS DRAWING.	
SCALE: 1:1	