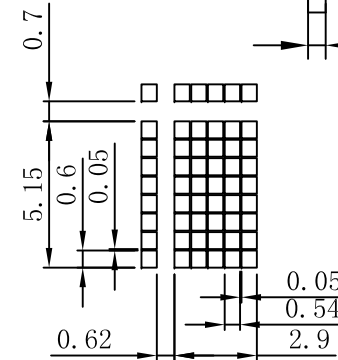
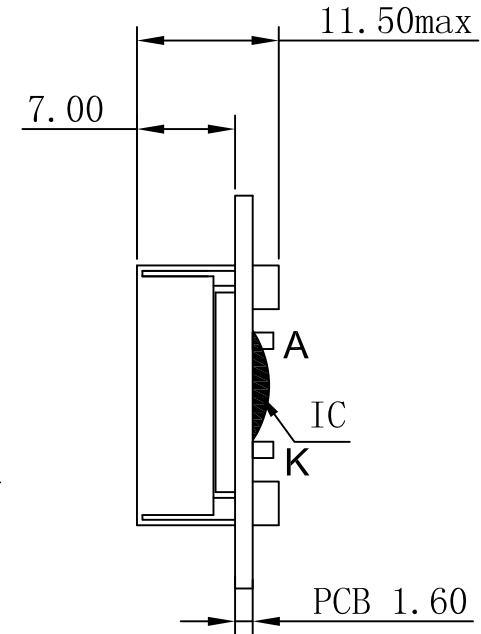
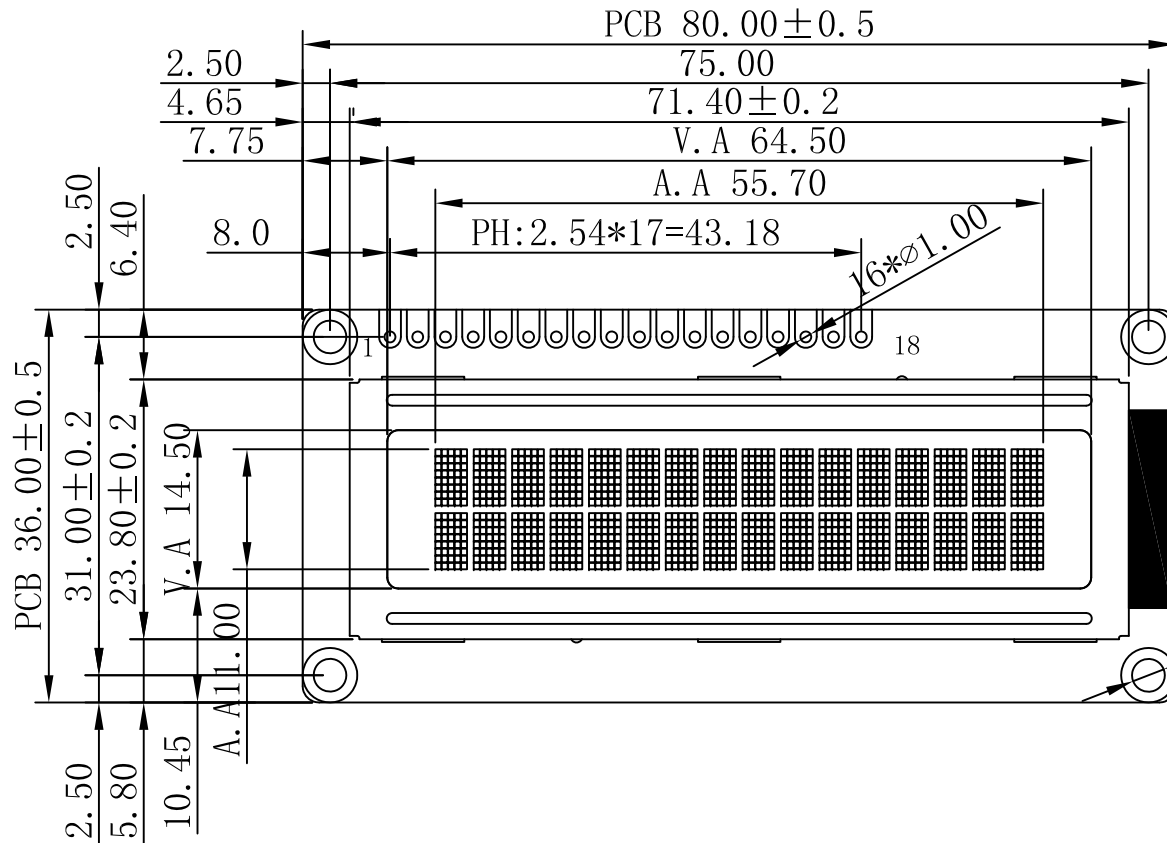



REV:	DESCRIPTION	BY	DATE
V1.0	New issue	XP	2017-11-16



NO	Symbol
1	VSS
2	VDD
3	V0
4	RS
5	RW
6	E
7	DB0
8	DB1
9	DB2
10	DB3
11	DB4
12	DB5
13	DB6
14	DB7
15	A
16	RK
17	GK
18	BK

NOTES :

- |   |                                |
|---|--------------------------------|
| 1. LCD TYPE:  | STN Y-G, Positive Transmissive |
| 2. OPERATING VOLTAGE:   | VDD=5.0V, Vop=4.70V            |
| 3. VIEWING DIRECTION:   | 6 O'CLOCK                      |
| 4. DRIVE METHOD:  | 1/16 Duty, 1/5 Bias            |
| 5. OPERATING TEMP:  | -20°C TO +70°C                 |
| 6. STORAGE TEMP:  | -30°C TO +80°C                 |
| 7. CONNECTOR TAPE:  | Zebra                          |
| 8. DRIVER IC:   | AIP31066 or Equivalent         |
| 9. BACKLIGHT:   | Red-Green-Blue                 |
| 10. ALL sub-parts and materials of the parts, must comply with the RoHS instructions of EU. |                                |

 <b>SINDA DISPLAY TECHNOLOGY CO., LTD.</b>				
SHEET: 1 of 1		MODEL NUMBER : SDCB1602SYG-08	VERSION: 2.0	UNITS: MM
APPROVALS	DATE	GENERAL TOL: ± 0.2		
DWN XP	2017-11-16	DO NOT SCALE THIS DRAWING.		
CHK		www.sindadisplay.com		
APP CJ	2017-11-16			