

8 7 6 5 4 3 2 1

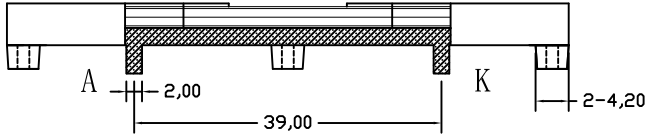
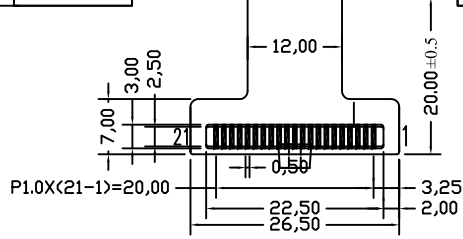
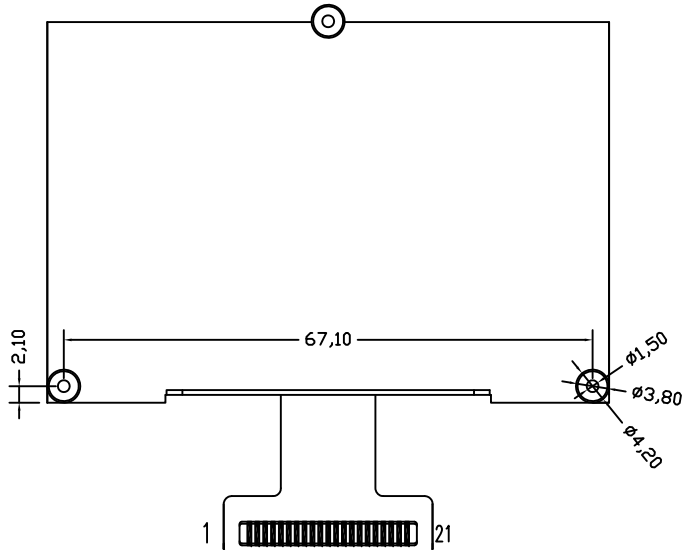
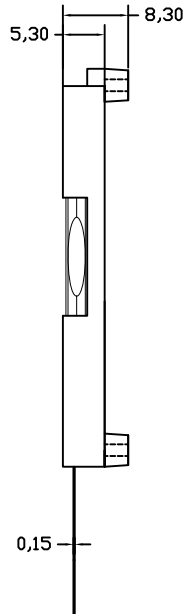
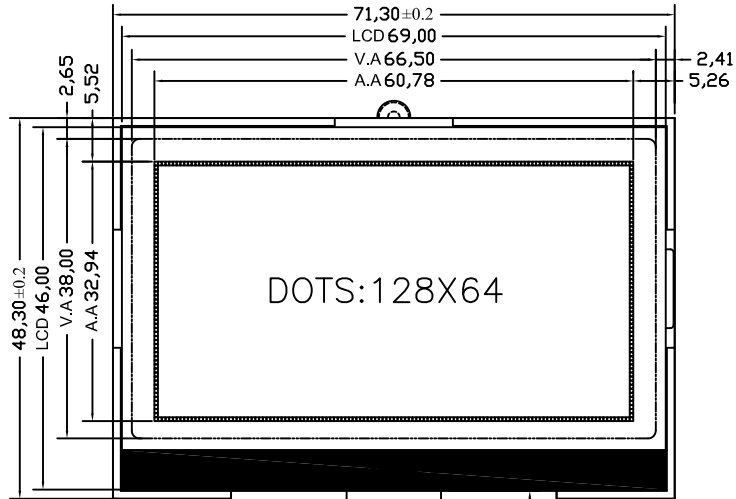
REV:	DESCRIPTION	BY	DATE
V1.0	New issue	Mike	

D

C

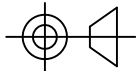
B

A



PIN NO	SYMBOL
1	CS
2	RST
3	RS
4	SCK
5	SDA
6	VDD
7	VSS
8	VOUT
9	C3+
10	C1-
11	C1+
12	C2+
13	C2-
14	NC
15	V1
16	V2
17	V3
18	V4
19	V0
20	VR
21	IRS

- NOTES :
- 1. LCD TYPE: STN-Blue, Negative Transmissive
 - 2. OPERATING VOLTAGE: VDD=3.0V, Vop=9.0V
 - 3. VIEWING DIRECTION: 6 O'CLOCK
 - 4. DRIVE METHOD: 1/65 Duty, 1/9 Bias
 - 5. OPERATING TEMP: -20°C TO +70°C
 - 6. STORAGE TEMP: -30°C TO +80°C
 - 7. CONNECTOR TAPE: FPC
 - 8. DRIVER IC: ST7565R-G or Equivalent
 - 9. BACKLIGHT: 4 pcs LED White, VF=3.1±0.2V, IF=15x4mA
 - 10. ALL sub-parts and materials of the parts, must comply with the RoHS instructions of EU.

		SINDA DISPLAY TECHNOLOGY CO., LTD.	
SHEET: 1 of 1		MODEL NUMBER : SDGG12864-30	VERSION: 1.0
APPROVALS	DATE	GENERAL TOL: ± 0.2	
DWN Mike	2014-07-14	UNITS: MM	
CHK		DO NOT SCALE THIS DRAWING.	
APP CJ	2014-07-14	www.sindadisplay.com	
		SCALE: 1:1	

8 7 6 5 4 3 2 1