

8

7

6

5

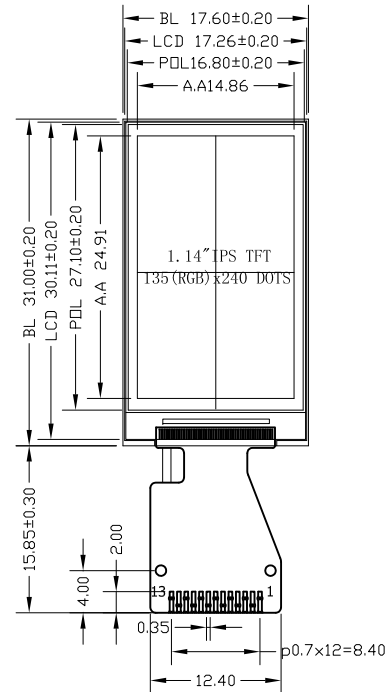
4

3

2

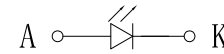
1

REV:	DESCRIPTION	BY	DATE
V1.0	New issue	SD-06	2017-01-13



1.6±0.10 不含背胶

0.13±0.05

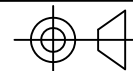


背光电路图 (CIRCUIT DIAGRAM)

1	NC
2	NC
3	SDA
4	SCL
5	RS
6	RES
7	CS
8	GND
9	NC
10	VDD
11	LEDA
12	LEDK
13	GND

Notes:

- 1). Display mode: 65K IPS TFT
- 2). Viewing angle: ALL
- 3). Operating temp.: -20°C~+70°C
Storage temp.: -30°C~+80°C
- 4). IC:ST7789V
- 5). Backlight: 1 chip White LED
- 6). General Tolerance:±0.20.
- 7). Rohs Compliancy.



SINDA DISPLAY TECHNOLOGY CO., LTD.

SHEET: 1 of 1

MODEL NUMBER :

VERSION: 1.0

UNITS:

APPROVALS

DATE

SDT01101N-A13

GENERAL TOL:± 0.2

MM

DWN SD-06 2017-01-13

CHK

APP SD-11 2017-01-13

DO NOT SCALE THIS DRAWING.

www.sindadisplay.com

SCALE: 1:1

8

7

6

5

4

3

2

1